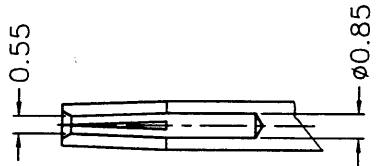


1 2 3 4 5 6 7 8

REVISIONS

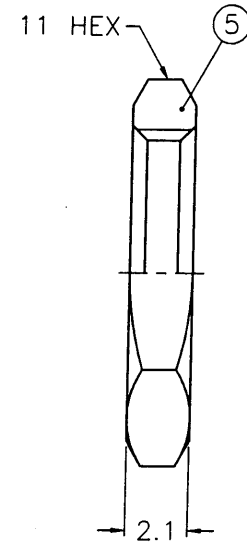
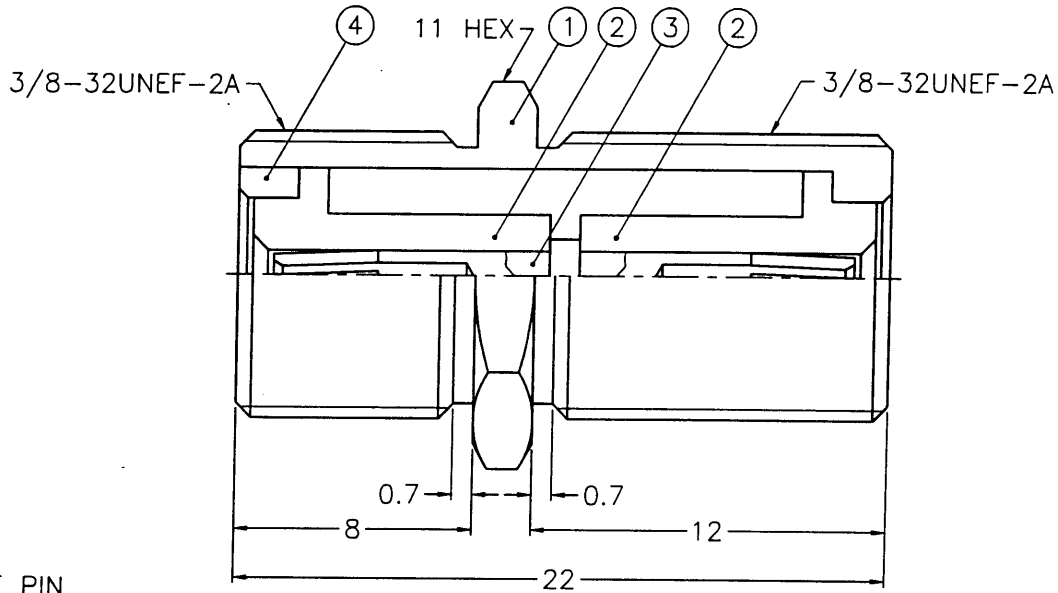
ISS	ZONE	DESCRIPTION\PER REQUEST\DATE
A1	A-7	KJ-F7471A2-NTPXS-75 WAS KJ-F87071404-NTPXS \N/A\08-13-01'

SALES



CONTACT PIN DETAIL
(CONTACT PIN 詳圖)

ONLY ACCEPTS 0.6~0.8 MALE PIN
(只適用 0.6~0.8 公針)



- NOTES: FINISH (PLATING THICKNESS IN MICRO-INCHES)
- BRASS PER QQ-B-626
 - NICKEL PL. 100 MIN. THICK OVER COPPER STRIKE
 - PHOSPHOR BRONZE PER QQ-B-750
 - SILVER PL. 200 MIN. THICK OVER COPPER STRIKE

ISSUED
2001.8.17
R&D

DIMENSIONS ARE IN MILLIMETERS					PART NO.		Amphenol - Kai Jack		
UNLESS OTHERWISE SPECIFIED TOLERANCES					047471AAA00MS7F		TAINAN TAIWAN		
5	HEX NUT	NOTE 1	NOTE 2	1	HN11-3/8-32X21	APPROVED	DATE	TITLE	
4	LOCK RING	NOTE 1	NOTE 2	1	AC 0032-4	<i>AORC</i>	08-13-01'	F FEMALE TO FEMALE ADAPTOR	
3	CONTACT PIN	NOTE 3	NOTE 4	1	AC 0032-3	CHECKED	DATE	DRAWING NO.	
2	INSULATOR	TPX	NATURAL	2	AC 0032-2	<i>Karl J.</i>	08-13-01'	KJ-F7471A2-NTPXS-75	
1	BODY	NOTE 1	NOTE 2	1	AC 0032-1	DRAWN	DATE	FILE NO.	
						<i>Jova. Y</i>	08-13-01'	F:\ND\04\7471\AAA\00\7F\MS-A1	
NO.	DESCRIPTION	MATERIAL	FINISH	Q'TY	DRAWING NO.	SCALE	4/1	ISSUE	A1

DD BR 1/20