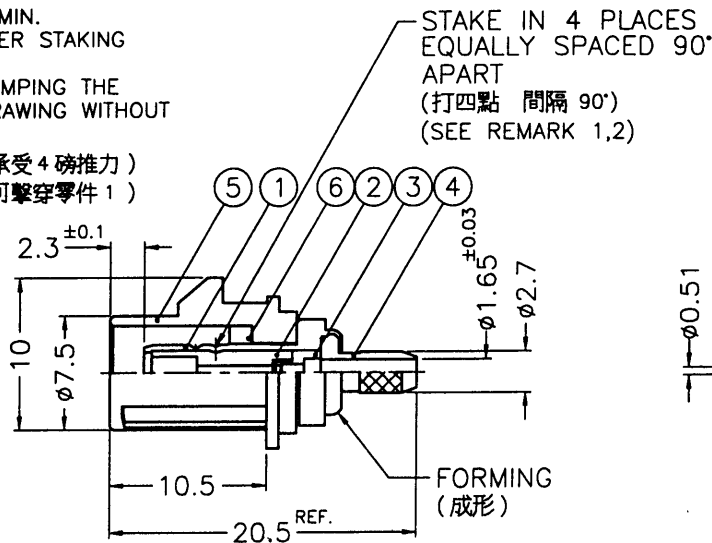
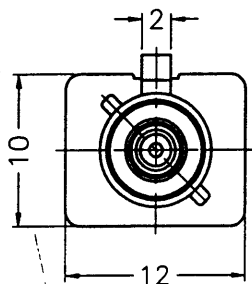


REVISIONS			
ISS	ZONE	DESCRIPTION\PER REQUEST\DATE	
A1	B-6	ADDED KEY CODING\N/A\12-26-01'	
A2	E-5	ADDED STAKE 4 POINTS\N/A\05-27-02'	
A3	B-5	CANCELLED L AND M KEY CODING\N/A\02-13-03'	

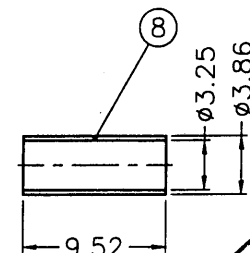
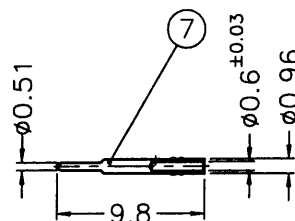
REMARK:1. NO.2 MUST WITHSTAND A 4 lbs. MIN. PUSHOUT FORCE FROM NO.1 AFTER STAKING OPERATION
 2. REMARK 1 IS MAINTAINED BY STAMPING THE FOUR POINTS SHOWN ON THE DRAWING WITHOUT PUNCTURING NO.1

- (1. 打四點後零件2由零件1推出至少必須承受4磅推力)
 (2. 打四點後除需符合備註1要求外且不可擊穿零件1)



1. CRIMPED FERRULE
 HEX CRIMP SIZE .128"
 2. CRIMPED CONTACT PIN AFMB
 ADJUST TO 4
 POSITIONER K727

SALES



ISSUED
 2003. 2. 14
 R & D

- NOTES: FINISH (PLATING THICKNESS IN MICRO-INCHES)
 1. BRASS PER QQ-B-626, ALLOY 360, 1/2 H ; JIS H3250 C 3604BD OR EQUIVALENT
 2. NICKEL PL. 60 MIN. THICK OVER COPPER STRIKE
 3. GOLD PL. 30 MIN. THICK OVER NICKEL PL. 100 MIN. THICK OVER COPPER STRIKE
 4. TEFLON MIL-P-19468 OR EQUIVALENT
 5. COPPER PER ASTM B-75 ALLOY C12200 OR EQUIVALENT
 6. PBT(WITH 15% GLASS FIBER) PER CHANG CHUN GRADE 4115202 OR EQUIVALENT

TABLE

KEY CODING	PART NO.	DRAWING NO.	ITEM NO.	LOCK COVER
A	FA1-NASP-C01-1	FK1121AW-007-NT30G-50	FK1121AAA36NC5F	FKLC10201A
B	FA1-NBSP-C01-1	FK1121BW-007-NT30G-50	FK1121AAB36NC5F	FKLC10202A
C	FA1-NCSP-C01-1	FK1121CW-007-NT30G-50	FK1121AAC36NC5F	FKLC10203A
D	FA1-NDSP-C01-1	FK1121DW-007-NT30G-50	FK1121AAD36NC5F	FKLC10204A
E	FA1-NESP-C01-1	FK1121EW-007-NT30G-50	FK1121AAE36NC5F	FKLC10205A
F	FA1-NFSP-C01-1	FK1121FW-007-NT30G-50	FK1121AAF36NC5F	FKLC10206A
G	FA1-NGSP-C01-1	FK1121GW-007-NT30G-50	FK1121AAG36NC5F	FKLC10207A
H	FA1-NHSP-C01-1	FK1121HW-007-NT30G-50	FK1121AAH36NC5F	FKLC10208A
I	FA1-NISP-C01-1	FK1121IW-007-NT30G-50	FK1121AAI36NC5F	FKLC10209A
K	FA1-NKSP-C01-1	FK1121KW-007-NT30G-50	FK1121AAK36NC5F	FKLC10210A
Z	FA1-NZSP-C01-1	FK1121ZW-007-NT30G-50	FK1121AAZ36NC5F	FKLC10211A

NO.	DESCRIPTION	MATERIAL	FINISH	Q'TY	DRAWING NO.	
8	FERRULE		NOTE 5	NOTE 2	1	FKFRO0101A
7	CONTACT PIN		NOTE 1	NOTE 3	1	FKCPO0101A
6	RING		NOTE 1	NOTE 2	1	FKLRO0101A
5	LOCK COVER		NOTE 6		1	SEE TABLE
4	BARREL		NOTE 1	NOTE 2	1	FKBR00101B
3	INSULATOR		NOTE 4	NATURAL	1	FKNS00201A
2	INSULATOR		NOTE 4	NATURAL	1	FKNS00101A
1	BODY		NOTE 1	NOTE 2	1	FKBDO0101A

DIMENSIONS ARE IN MILLIMETERS			
UNLESS OTHERWISE SPECIFIED TOLERANCES			
0.5-6	=	±0.2	
6-30	=	±0.4	
30-120	=	±0.6	
120-315	=	±1	
315-1000	=	±1.6	
1000-2000	=	±2.4	

PART NO.	FA1-NXSP-C01-1
APPROVED	<i>[Signature]</i> DATE 02-13-03'
CHECKED	<i>[Signature]</i> DATE 02-13-03'
DRAWN	<i>[Signature]</i> DATE 02-13-03'
FILE NO.	F:\DWG\FK\1121XX\007\50\NT30G-A3

Amphenol	
Danbury,CT,USA-Tainan,Taiwan-Shenzhen,China	
TITLE	FAKRA SMB CRIMP PLUG (FOR RG-174/U, 188A/U, 316/U CABLE)
DRAWING NO.	FK1121XX-007-NT30G-50
ITEM NO.	FK1121AAX36NC5F

7RD-DR 150868