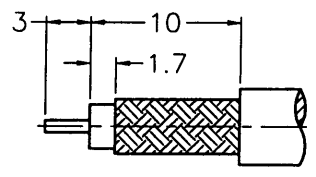


REVISIONS			
ISS	ZONE	DESCRIPTION\PER REQUEST\DATE	
A1	D-3	ADDED 2.3±0.1 \N/A\12-04-01'	
A2	B-6	ADDED KEY CODING\N/A\12-26-01'	
A3	B-6	CANCELLED L AND M KEY CODING\N/A\02-13-03'	



1. CRIMPED FERRULE
HEX CRIMP SIZE .213"
2. CRIMPED CONTACT PIN
SQ. CRIMP SIZE .042"

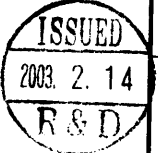
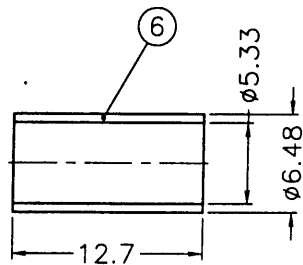
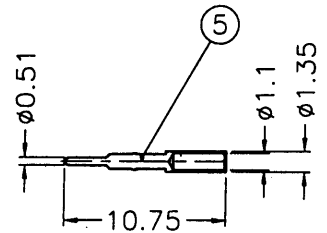
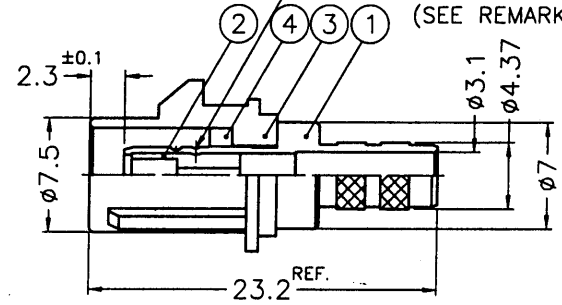
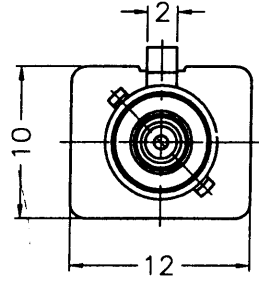
RECOMMENDED
CABLE STRIPPING DIM'S
(建議剝線尺寸)



REMARK:1. NO.2 MUST WITHSTAND A 4 lbs. MIN. PUSHOUT FORCE FROM NO.1 AFTER STAKING OPERATION
2. REMARK 1 IS MAINTAINED BY STAMPING THE FOUR POINTS SHOWN ON THE DRAWING WITHOUT PUNCTURING NO.1

(1. 打四點後零件 2 由零件 1 推出至少必須承受 4 磅推力)
(2. 打四點後除需符合備註 1 要求外 且不可擊穿零件 1)

STAKE IN 4 PLACES
EQUALLY SPACED 90° APART
(打四點 間隔 90°)
(SEE REMARK 1,2)



NOTES: FINISH (PLATING THICKNESS IN MICRO-INCHES)
1. BRASS PER QQ-B-626, ALLOY 360, 1/2 H ; JIS H3250 C 3604BD OR EQUIVALENT
2. NICKEL PL. 60 MIN. THICK OVER COPPER STRIKE
3. GOLD PL. 30 MIN. THICK OVER NICKEL PL. 100 MIN. THICK OVER COPPER STRIKE
4. TEFLON MIL-P-19468 OR EQUIVALENT
5. COPPER PER ASTM B-75 ALLOY C12200 OR EQUIVALENT
6. PBT(WITH 15% GLASS FIBER) PER CHANG CHUN GRADE 4115202 OR EQUIVALENT

TABLE

KEY CODING	PART NO.	DRAWING NO.	ITEM NO.	LOCK COVER
A	FA1-NASP-C04-1	FK1121AW-008-NT30G-50	FK1121AAA57NC5F	FKLC10201A
B	FA1-NBSP-C04-1	FK1121BW-008-NT30G-50	FK1121AAB57NC5F	FKLC10202A
C	FA1-NCSP-C04-1	FK1121CW-008-NT30G-50	FK1121AAC57NC5F	FKLC10203A
D	FA1-NDSP-C04-1	FK1121DW-008-NT30G-50	FK1121AAD57NC5F	FKLC10204A
E	FA1-NESP-C04-1	FK1121EW-008-NT30G-50	FK1121AAE57NC5F	FKLC10205A
F	FA1-NFSP-C04-1	FK1121FW-008-NT30G-50	FK1121AAF57NC5F	FKLC10206A
G	FA1-NGSP-C04-1	FK1121GW-008-NT30G-50	FK1121AAG57NC5F	FKLC10207A
H	FA1-NHSP-C04-1	FK1121HW-008-NT30G-50	FK1121AAH57NC5F	FKLC10208A
I	FA1-NISP-C04-1	FK1121IW-008-NT30G-50	FK1121AAI57NC5F	FKLC10209A
K	FA1-NKSP-C04-1	FK1121KW-008-NT30G-50	FK1121AAK57NC5F	FKLC10210A
Z	FA1-NZSP-C04-1	FK1121ZW-008-NT30G-50	FK1121AAZ57NC5F	FKLC10211A

DIMENSIONS ARE IN MILLIMETERS				PART NO. FA1-NXSP-C04-1	
UNLESS OTHERWISE SPECIFIED TOLERANCES				APPROVED	DATE
0.5-6 = ±0.2				<i>Load</i>	02-13-03'
6-30 = ±0.4				CHECKED	DATE
30-120 = ±0.6				<i>Load</i>	02-13-03'
120-315 = ±1				DRAWN	DATE
315-1000 = ±1.6				<i>JKY</i>	02-13-03'
1000-2000 = ±2.4				FILE NO.	F:\DWG\FK\1121XX\008\50\NT30G-A3
NO.	DESCRIPTION	MATERIAL	FINISH	Q'TY	DRAWING NO.

Amphenol	
Danbury, CT, USA - Tainan, Taiwan - Shenzhen, China	
TITLE FAKRA SMB CRIMP PLUG (FOR RG-58A/U, 58C/U CABLE)	
DRAWING NO. FK1121XX-008-NT30G-50	
ITEM NO. FK1121AAX57NC5F	

6	FERRULE	NOTE 5	NOTE 2	1	FKFR00201A
5	CONTACT PIN	NOTE 1	NOTE 3	1	FKCP00301A
4	RING	NOTE 1	NOTE 2	1	FKLR00101A
3	LOCK COVER	NOTE 6		1	SEE TABLE
2	INSULATOR	NOTE 4	NATURAL	1	FKNS00401A
1	BODY	NOTE 1	NOTE 2	1	FKBD00401A

A

A