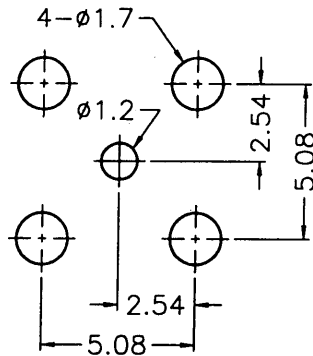
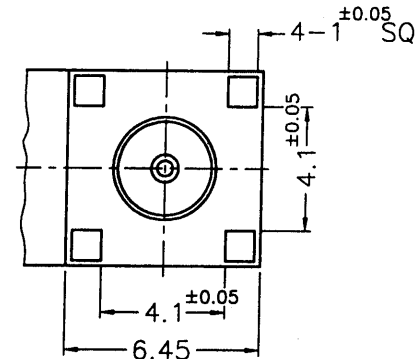
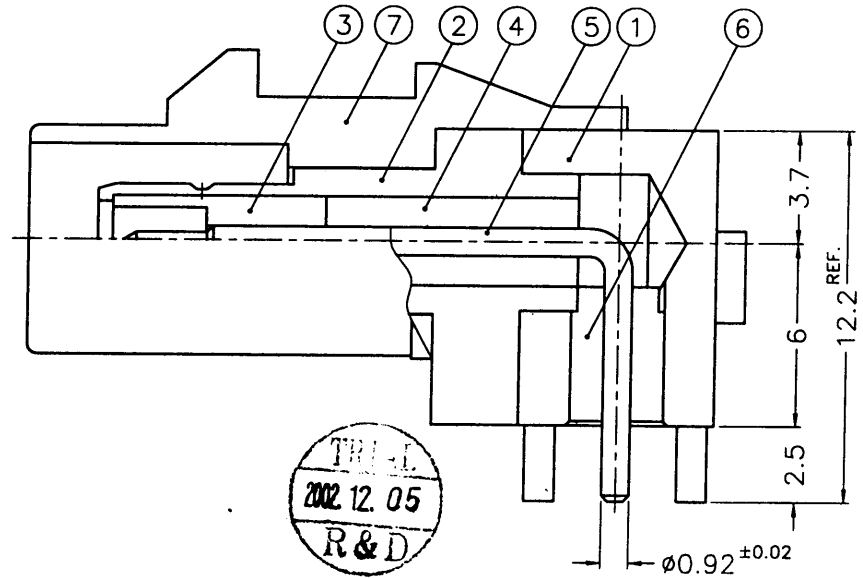


REVISIONS		
ISS	ZONE	DESCRIPTION\PER REQUEST\DATE



PCB MOUNTING HOLE
(印刷电路板架孔)



NOTES: FINISH (PLATING THICKNESS IN MICRO-INCHES)

- BRASS PER QQ-B-626, ALLOY 360, 1/2 H ; JIS H3250 C 3604BD OR EQUIVALENT
- GOLD PL. 3 MIN. THICK OVER NICKEL PL. 100 MIN. THICK OVER COPPER STRIKE
- GOLD PL. 30 MIN. THICK OVER NICKEL PL. 100 MIN. THICK OVER COPPER STRIKE
- TEFLON MIL-P-19468
- PBT(WITH 15% GLASS FIBER) PER CHANG CHUN GRADE 4115202 OR EQUIVALENT

TABLE

KEY CODING	DRAWING NO.	ITEM NO.	LOCK COVER
A	FK1252AW-013-3GT30G-50	FK1252ANA02GE5F	FKLC10101B
B	FK1252BW-013-3GT30G-50	FK1252ANB02GE5F	FKLC10102B
C	FK1252CW-013-3GT30G-50	FK1252ANC02GE5F	FKLC10103B
D	FK1252DW-013-3GT30G-50	FK1252AND02GE5F	FKLC10104B
E	FK1252EW-013-3GT30G-50	FK1252ANE02GE5F	FKLC10105B
F	FK1252FW-013-3GT30G-50	FK1252ANF02GE5F	FKLC10106B
G	FK1252GW-013-3GT30G-50	FK1252ANG02GE5F	FKLC10107B
H	FK1252HW-013-3GT30G-50	FK1252ANH02GE5F	FKLC10108B
I	FK1252IW-013-3GT30G-50	FK1252ANI02GE5F	FKLC10109B
K	FK1252KW-013-3GT30G-50	FK1252ANK02GE5F	FKLC10110B
Z	FK1252ZW-013-3GT30G-50	FK1252ANZ02GE5F	FKLC10111B
L	FK1252LW-013-3GT30G-50	FK1252ANL02GE5F	FKLC10112B
M	FK1252MW-013-3GT30G-50	FK1252ANM02GE5F	FKLC10113B

DIMENSIONS ARE IN MILLIMETERS

UNLESS OTHERWISE SPECIFIED TOLERANCES

0.5-6	= ±0.2
6-30	= ±0.4
30-120	= ±0.6
120-315	= ±1
315-1000	= ±1.6
1000-2000	= ±2.4

PART NO.	
APPROVED	DATE 11-27-02'
CHECKED <i>Lily</i>	DATE 11-27-02'
DRAWN <i>LILY</i>	DATE 11-27-02'
FILE NO. F:\DWG\FK\1252XX\013\50\3GT30G.	

Amphenol
Danbury, CT, USA - Tainan, Taiwan - Shenzhen, China

TITLE: FAKRA SMB R/A PCB MOUNT PLUG

DRAWING NO. FK1252XX-013-3GT30G-50

ITEM NO. FK1252ANX02GE5F

NO.	DESCRIPTION	MATERIAL	FINISH	Q'TY	DRAWING NO.
7	LOCK COVER	NOTE 5	1	SEE TABLE	
6	INSULATOR	NOTE 4	NATURAL	1	FKNS01502A
5	CONTACT PIN	NOTE 1	NOTE 3	1	FKCP01209A
4	INSULATOR	NOTE 4	NATURAL	1	FKNS00901A
3	INSULATOR	NOTE 4	NATURAL	1	FKNS00401A
2	BODY	NOTE 1	NOTE 2	1	FKBD01202A
1	HOUSING	NOTE 1	NOTE 2	1	FKXS00402A

F
E
D
C
B
A

F
E
D
C
B
A