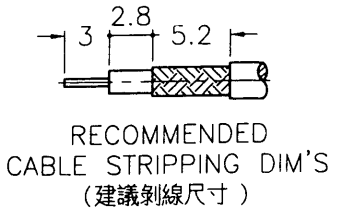


REVISIONS		
ISS	ZONE	DESCRIPTION\PER REQUEST\DATE
A1	A-1	NO.5'S MATERIAL WAS CHANGED\N/A\08-29-02'
A2	B-6	ADDED Z CODE\N/A\04-02-03'
A3	B-1	NOTES 7 WAS CHANGED\N/A\05-13-03'

REMARK: 1. NO.3 MUST WITHSTAND A 4 lbs. MIN. PUSHOUT FORCE FROM NO.1 AFTER STAKING OPERATION
 2. REMARK 1 IS MAINTAINED BY STAMPING THE FOUR POINTS SHOWN ON THE DRAWING WITHOUT PUNCTURING NO.1
 (1. 打四點後零件3由零件1推出至少必須承受4磅推力)
 (2. 打四點後除需符合備註1要求外且不可擊穿零件1)



F

E

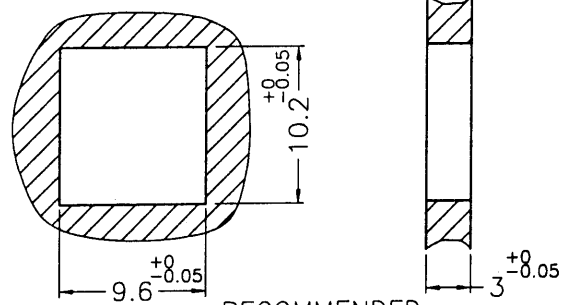
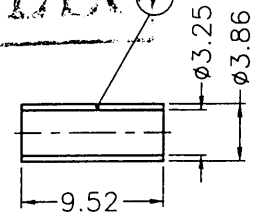
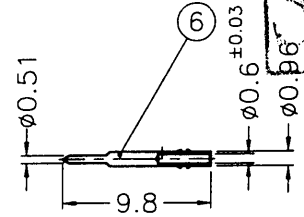
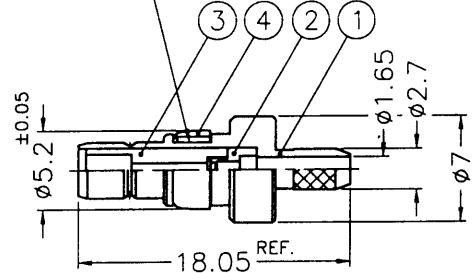
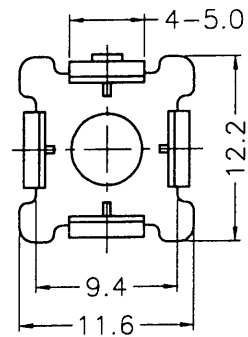
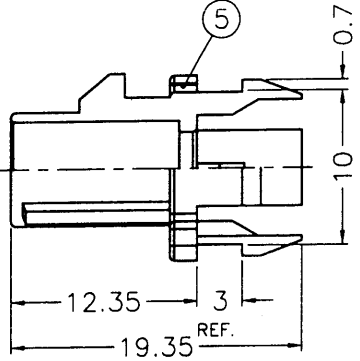
D

C

B

A

STAKE IN 4 PLACES EQUALLY SPACED 90° APART (打四點 間隔 90°) (SEE REMARK 1,2)



RECOMMENDED MOUNTING HOLE (建議架設孔)



1. CRIMPED FERRULE HEX CRIMP SIZE .128"
2. CRIMPED CONTACT PIN AFM8 ADJUST TO 4 POSITIONER K727

- NOTES: FINISH (PLATING THICKNESS IN MICRO-INCHES)
1. BRASS PER QQ-B-626, ALLOY 360, 1/2 H ; JIS H3250 C 3604BD OR EQUIVALENT
 2. NICKEL PL. 60 MIN. THICK OVER COPPER STRIKE
 3. GOLD PL. 30 MIN. THICK OVER NICKEL PL. 100 MIN. THICK OVER COPPER STRIKE
 4. TEFLON MIL-P-19468 OR EQUIVALENT
 5. BERYLLIUM COPPER JIS C1720R-1/4H OR EQUIVALENT
 6. COPPER PER ASTM B-75 ALLOY C12200 OR EQUIVALENT
 7. NYLOY66(WITH 23% GLASS FIBER) PER NYTEX COMPOSITES CO., LTD. GRADE MG-0023N-V0 OR EQUIVALENT

TABLE

KEY CODING	DRAWING NO.	ITEM NO.	LOCK COVER
C	FK1321CW-023-NT30G-50	FK1321AKC36NC5F	FKLC70103A
D	FK1321DW-023-NT30G-50	FK1321AKD36NC5F	FKLC70104A
G	FK1321GW-023-NT30G-50	FK1321AKG36NC5F	FKLC70107A
Z	FK1321ZW-023-NT30G-50	FK1321AKZ36NC5F	FKLC70111A

DIMENSIONS ARE IN MILLIMETERS				PART NO.	
UNLESS OTHERWISE SPECIFIED TOLERANCES				APPROVED	DATE
0.5-6 = ±0.2				<i>Lead, 2</i>	05-13-03'
6-30 = ±0.4				CHECKED	DATE
30-120 = ±0.6				<i>Lead, 2</i>	05-13-03'
120-315 = ±1				DRAWN	DATE
315-1000 = ±1.6				<i>Lead, 2</i>	05-13-03'
1000-2000 = ±2.4				FILE NO.	F:\DWG\FK\1321XX\023\50\NT30G-A2

NO.	DESCRIPTION	MATERIAL	FINISH	Q'TY	DRAWING NO.
7	FERRULE			1	FKFRO0101A
6	CONTACT PIN			1	FKCP00101A
5	LOCK COVER			1	SEE TABLE
4	RETAINER RING			1	SZ1111C1-5BE-C
3	INSULATOR		NATURAL	1	FKNS00101A
2	INSULATOR		NATURAL	1	FKNS00201A
1	BODY			1	FKBD02003A

Amphenol
 Danbury, CT, USA - Tainan, Taiwan - Shenzhen, China

TITLE: FAKRA SMB CRIMP PLUG (FOR RG-174/U, 188A/U, 316/U CABLE)

DRAWING NO. FK1321XX-023-NT30G-50

ITEM NO. FK1321AKX36NC5F

7RD-DR 18265 8