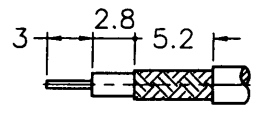


REVISIONS			
ISS	ZONE	DESCRIPTION\PER REQUEST\DATE	
A1	E-4	ADDED STAKE 4 POINTS\N/A\05-27-02'	
A2	B-6	CANCELLED L AND M KEY CODING\N/A\02-13-03'	

SALES

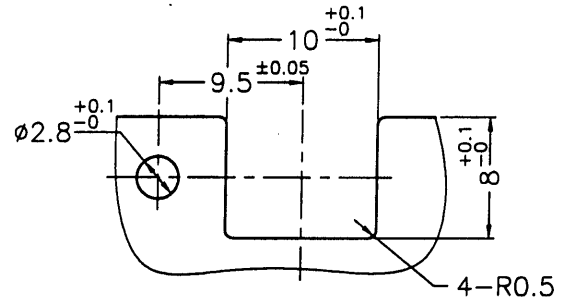
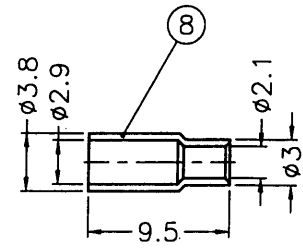
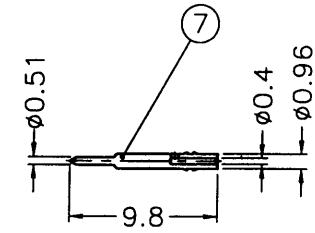
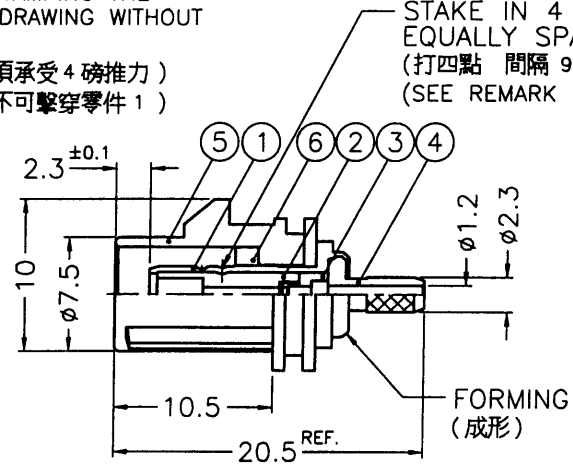
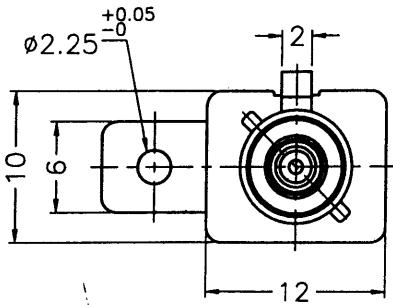


RECOMMENDED
CABLE STRIPPING DIM'S
(建議剝線尺寸)

1. CRIMPED FERRULE
HEX CRIMP SIZE .128"
2. CRIMPED CONTACT PIN AFM8
ADJUST TO 4
POSITIONER K727

REMARK:1. NO.2 MUST WITHSTAND A 4 lbs. MIN.
PUSHOUT FORCE FROM NO.1 AFTER STAKING
OPERATION
2. REMARK 1 IS MAINTAINED BY STAMPING THE
FOUR POINTS SHOWN ON THE DRAWING WITHOUT
PUNCTURING NO.1
(1. 打四點後零件 2 由零件 1 推出至少必須承受 4 磅推力)
(2. 打四點後除需符合備註 1 要求外 且不可擊穿零件 1)

STAKE IN 4 PLACES
EQUALLY SPACED 90° APART
(打四點 間隔 90°)
(SEE REMARK 1,2)



RECOMMENDED
MOUNTING HOLE
(建議架設孔)

ISSUED
2003. 2. 14
D

- NOTES: FINISH (PLATING THICKNESS IN MICRO-INCHES)
1. BRASS PER QQ-B-626, ALLOY 360, 1/2 H ; JIS H3250 C 3604BD OR EQUIVALENT
 2. NICKEL PL. 60 MIN. THICK OVER COPPER STRIKE
 3. GOLD PL. 30 MIN. THICK OVER NICKEL PL. 100 MIN. THICK OVER COPPER STRIKE
 4. TEFLON MIL-P-19468 OR EQUIVALENT
 5. PBT(WITH 15% GLASS FIBER) PER CHANG CHUN GRADE 4115202 OR EQUIVALENT

TABLE

KEY CODING	DRAWING NO.	ITEM NO.	LOCK COVER
A	FK1321AW-NT30G-196AU-50	FK1321AAA16NC5F	FKLC10201A
B	FK1321BW-NT30G-196AU-50	FK1321AAB16NC5F	FKLC10202A
C	FK1321CW-NT30G-196AU-50	FK1321AAC16NC5F	FKLC10203A
D	FK1321DW-NT30G-196AU-50	FK1321AAD16NC5F	FKLC10204A
E	FK1321EW-NT30G-196AU-50	FK1321AAE16NC5F	FKLC10205A
F	FK1321FW-NT30G-196AU-50	FK1321AAF16NC5F	FKLC10206A
G	FK1321GW-NT30G-196AU-50	FK1321AAG16NC5F	FKLC10207A
H	FK1321HW-NT30G-196AU-50	FK1321AAH16NC5F	FKLC10208A
I	FK1321IW-NT30G-196AU-50	FK1321AAI16NC5F	FKLC10209A
K	FK1321KW-NT30G-196AU-50	FK1321AAK16NC5F	FKLC10210A
Z	FK1321ZW-NT30G-196AU-50	FK1321AAZ16NC5F	FKLC10211A

NO.	DESCRIPTION	MATERIAL	FINISH	Q'TY	DRAWING NO.
8	FERRULE		NOTE 1	1	FKFR00401A
7	CONTACT PIN		NOTE 1	1	FKCP00102A
6	RING		NOTE 1	1	FKLR00101A
5	LOCK COVER		NOTE 5	1	SEE TABLE
4	BARREL		NOTE 1	1	FKBR00104A
3	INSULATOR		NOTE 4	1	FKNS00201A
2	INSULATOR		NOTE 4	1	FKNS00101A
1	BODY		NOTE 1	1	FKMB00101A

DIMENSIONS ARE IN MILLIMETERS				PART NO.	
UNLESS OTHERWISE SPECIFIED TOLERANCES				APPROVED	DATE
0.5-6	=	±0.2		<i>Loose</i>	02-13-03'
6-30	=	±0.4			
30-120	=	±0.6		CHECKED	DATE
120-315	=	±1		<i>Loose</i>	02-13-03'
315-1000	=	±1.6		DRAWN	DATE
1000-2000	=	±2.4		<i>Loose</i>	02-13-03'
SCALE	2/1	ISSUE	A2	FILE NO.	F:\DWG\FK\1321XX\196AU-50\NT30G-A2

Amphenol
Danbury, CT, USA - Tainan, Taiwan - Shenzhen, China

TITLE: FAKRA SMB CRIMP PLUG
(FOR RG-178B/U, 196A/U CABLE)

DRAWING NO. FK1321XX-NT30G-196AU-50

ITEM NO. FK1321AAX16NC5F

A

A