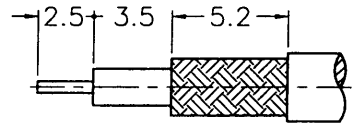
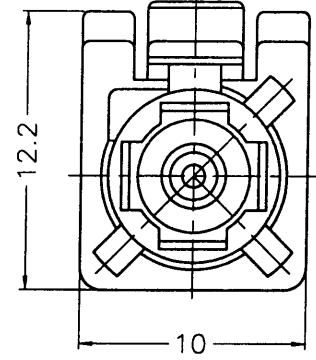
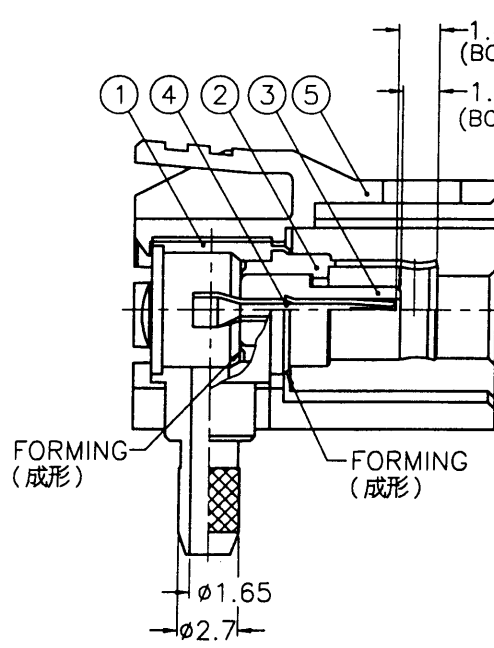
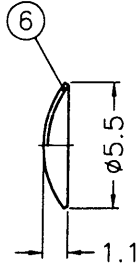


REVISIONS		
ISS	ZONE	DESCRIPTION\PER REQUEST\DATE

SA

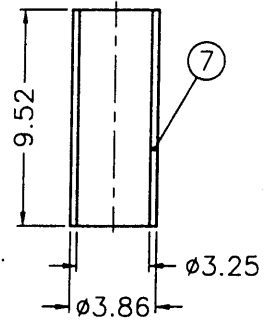


RECOMMENDED
CABLE STRIPPING DIM'S
(建議剝線尺寸)

1. CRIMPED FERRULE
HEX CRIMP SIZE .128"
2. CONTACT PIN TO SOLDER

ISSUED
2003. 5. 27
R&D

- NOTES: FINISH (PLATING THICKNESS IN MICRO-INCHES)
1. BRASS PER QQ-B-626, ALLOY 360, 1/2 H ; JIS H3250 C 3604BD OR EQUIVALENT
 2. BERYLLIUM COPPER PER QQ-C-530, ALLOY 173, 1/2 H ; ASTM B-196 ; FUJII FX301 OR EQUIVALENT
 3. NICKEL PL. 60 MIN. THICK OVER COPPER STRIKE
 4. GOLD PL. 30 MIN. THICK OVER NICKEL PL. 100 MIN. THICK OVER COPPER STRIKE
 5. TEFLON MIL-P-19468 ; ASTM D-1710 OR EQUIVALENT
 6. COPPER PER ASTM B-75 ALLOY C12200 OR EQUIVALENT
 7. NYLON66(WITH 30% GLASS FIBER) PER NYTEX COMPOSITES CO., LTD. GRADE MG-2030N-V0 OR EQUIVALENT
 8. BRASS PER QQ-B-613, ALLOY 260, H ; JIS H3100 C 2680R-H OR EQUIVALENT
 9. ZINC DIECAST PER JIS H5301 ZDC2 OR EQUIVALENT



TABLE

KEY CODING	PART NO.	DRAWING NO.	ITEM NO.	LOCK COVER
A	2FA1-NARJ-C01-0	FK6112AW-027-NT30G-50	FK6112ACA36NC5F	FKLC30501D
B	2FA1-NBRJ-C01-0	FK6112BW-027-NT30G-50	FK6112ACB36NC5F	FKLC30502D
C	2FA1-NCRJ-C01-0	FK6112CW-027-NT30G-50	FK6112ACC36NC5F	FKLC30503D
D	2FA1-NDRJ-C01-0	FK6112DW-027-NT30G-50	FK6112ACD36NC5F	FKLC30504D
E	2FA1-NERJ-C01-0	FK6112EW-027-NT30G-50	FK6112ACE36NC5F	FKLC30505D
F	2FA1-NFRJ-C01-0	FK6112FW-027-NT30G-50	FK6112ACF36NC5F	FKLC30506D
G	2FA1-NGRJ-C01-0	FK6112GW-027-NT30G-50	FK6112ACG36NC5F	FKLC30507D
H	2FA1-NHRJ-C01-0	FK6112HW-027-NT30G-50	FK6112ACH36NC5F	FKLC30508D
I	2FA1-NIRJ-C01-0	FK6112IW-027-NT30G-50	FK6112ACI36NC5F	FKLC30509D
K	2FA1-NKRJ-C01-0	FK6112KW-027-NT30G-50	FK6112ACK36NC5F	FKLC30510D
Z	2FA1-NZRJ-C01-0	FK6112ZW-027-NT30G-50	FK6112ACZ36NC5F	FKLC30511D

NO.	DESCRIPTION	MATERIAL	FINISH	Q'TY	DRAWING NO.
7	FERRULE	NOTE 6	NOTE 3	1	FKFR00101A
6	PLATE	NOTE 8	NOTE 3	1	FKPA00102A
5	LOCK COVER	NOTE 7		1	SEE TABLE
4	CONTACT PIN	NOTE 2	NOTE 4	1	FKCP01501A
3	INSULATOR	NOTE 5	NATURAL	1	FKNS01201A
2	BODY	NOTE 1	NOTE 3	1	FKBD02101A
1	HOUSING	NOTE 9	NOTE 3	1	FKHS00801A

DIMENSIONS ARE IN MILLIMETERS
UNLESS OTHERWISE SPECIFIED
TOLERANCES
0.5-6 = ±0.2
6-30 = ±0.4
30-120 = ±0.6
120-315 = ±1
315-1000 = ±1.6
1000-2000 = ±2.4

PART NO. 2FA1-NXRJ-C01-0
APPROVED [Signature] DATE 05-26-03'
CHECKED [Signature] DATE 05-26-03'
DRAWN [Signature] DATE 05-26-03'

Amphenol
Danbury,CT,USA-Tainan,Taiwan-Shenzhen,China
TITLE FAKRA R/A JACK
(FOR RG-174/U,188A/U,316/U)
DRAWING NO. FK6112XX-027-NT30G-50
ITEM NO. FK6112ACX36NC5F

7 PD-DR 18414 8