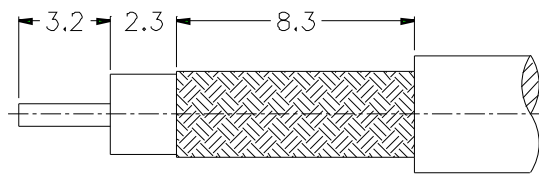
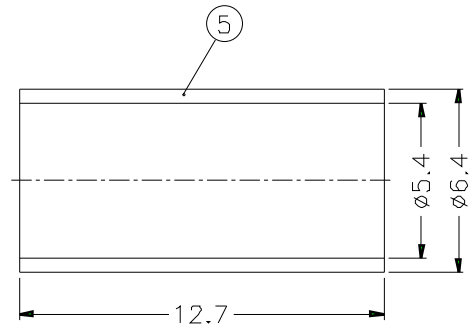
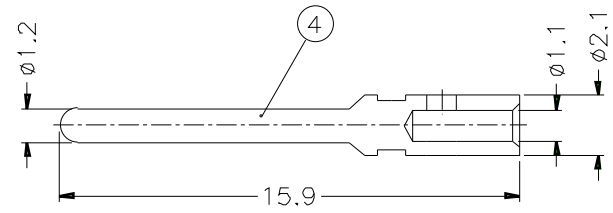
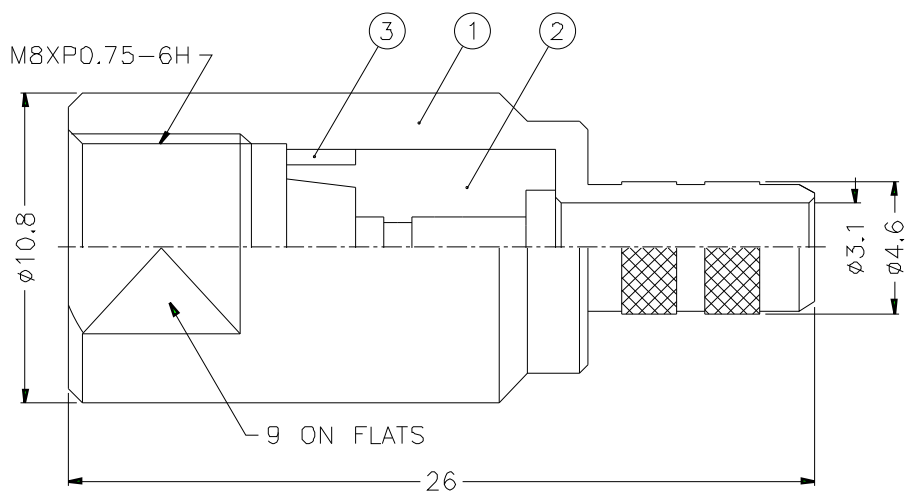


ISS		ZONE		REVISIONS		
				DESCRIPTION	PER REQUEST	DATE



RECOMMENDED
CABLE STRIPPING DIM'S



- 1. CRIMPED FERRULE
HEX CRIMP SIZE .213"
- 2. CRIMPED CONTACT PIN
HEX CRIMP SIZE .068"

NOTES: FINISH (PLATING THICKNESS IN MICRO-INCHES)
 1. BRASS PER QQ-B-626
 2. NICKEL PL. 100 MIN. THICK OVER COPPER STRIKE
 3. GOLD PL. 3 MIN. THICK OVER NICKEL PL. 100 MIN. THICK OVER COPPER STRIKE
 4. TEFLON MIL-P-19468
 5. JIS H 3250, C 2700

NO.	DESCRIPTION	MATERIAL	FINISH	Q'TY	DRAWING NO.
5	FERRULE	NOTE 5	NOTE 2	1	FR-64/54X127
4	CONTACT PIN	NOTE 1	NOTE 3	1	FME1121A1-3-21/11
3	LOCK RING	NOTE 1	NOTE 2	1	FME1121A3-3-B
2	INSULATOR	NOTE 4	NATURAL	1	FME1121A3-2T-50
1	BODY	NOTE 1	NOTE 2	1	FME1121A3-1-46/31

DIMENSIONS ARE IN MILLIMETERS			
UNLESS OTHERWISE SPECIFIED TOLERANCES			
0.5-6	=	±0.2	
6-30	=	±0.4	
30-120	=	±0.6	
120-315	=	±1	
315-1000	=	±1.6	
1000-2000	=	±2.4	

PART NO.	FME1121A3-NT3G-1-50
APPROVED	DATE 10-11-01'
CHECKED	DATE 10-11-01'
DRAWN	DATE 10-11-01'
FILE NO.	

Amphenol

TITLE
FME CRIMP PLUG

DRAWING NO.
KJ-FME1121A3-NT3G-58CU-50

ITEM NO.

F
E
D
C
B
A

F
E
D
C
B
A

1 2 3 4 5 6 7 8