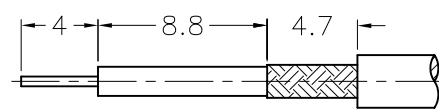
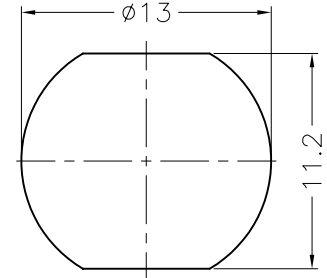


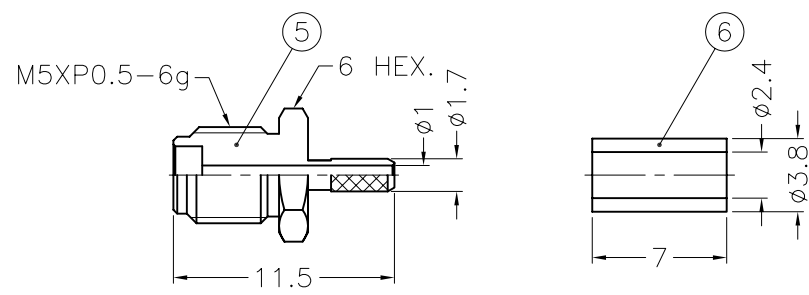
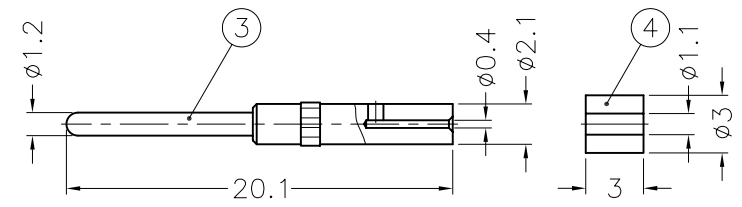
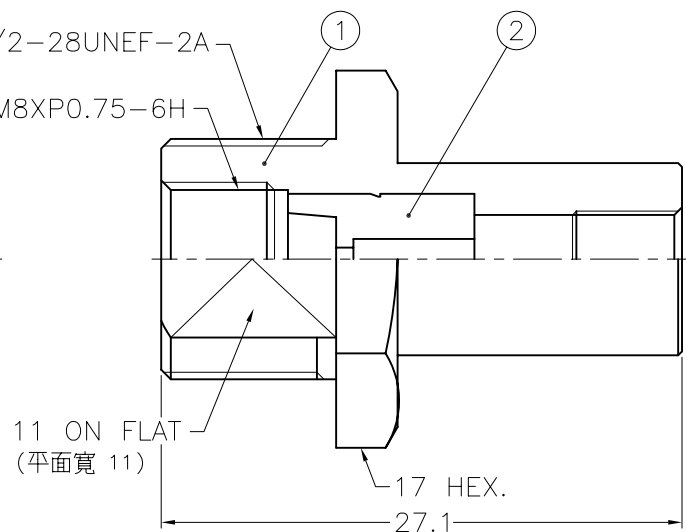
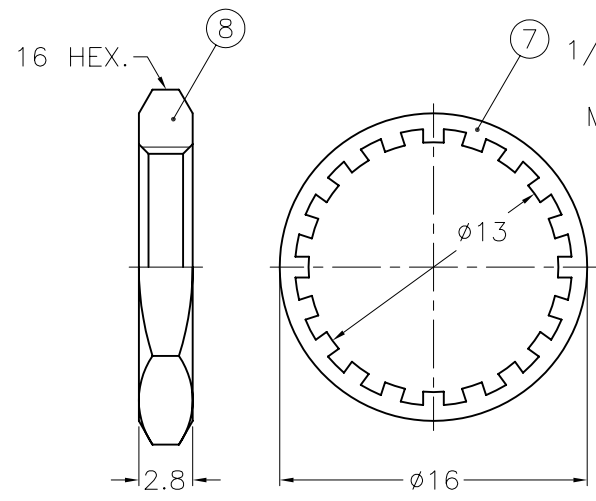
REVISIONS			
ISS	ZONE	DESCRIPTION\PER REQUEST\DATE	



RECOMMENDED  
CABLE STRIPPING DIM'S  
(建議剝線尺寸)



RECOMMENDED  
MOUNTING HOLE  
(建議架設孔)



NOTES: FINISH (PLATING THICKNESS IN MICRO-INCHES)  
 1. BRASS PER QQ-B-626  
 2. BRASS PER QQ-B-613  
 3. NICKEL PL. 100 MIN. THICK OVER COPPER STRIKE  
 4. GOLD PL. 3 MIN. THICK OVER NICKEL PL. 100 MIN. THICK OVER COPPER STRIKE  
 5. TEFLON MIL-P-19468

1. CRIMPED FERRULE  
HEX CRIMP SIZE .128"  
 2. CRIMPED CONTACT PIN  
HEX CRIMP SIZE .068"

NO.	DESCRIPTION	MATERIAL	FINISH	Q'TY	DRAWING NO.
8	HEX NUT	NOTE 1	NOTE 3	1	HN16-1/2-28X28
7	LOCK WASHER	NOTE 2	NOTE 3	1	LW-16/13X05
6	FERRULE	COPPER	NOTE 3	1	FR-38/24X7C
5	BARREL	NOTE 1	NOTE 3	1	FME1421G1-5-17/1
4	INSULATOR	NOTE 5	NATURAL	1	FME1421G1-4T-50
3	CONTACT PIN	NOTE 1	NOTE 4	1	FME1421G1-3-21/04
2	INSULATOR	NOTE 5	NATURAL	1	FME1421G1-2T-50
1	BODY	NOTE 1	NOTE 3	1	FME1421G1-1

DIMENSIONS ARE IN MILLIMETERS			PART NO.	
UNLESS OTHERWISE SPECIFIED TOLERANCES			APPROVED	DATE
0.5-6	= ±0.2			01-21-03'
6-30	= ±0.4		CHECKED	DATE
30-120	= ±0.6			01-21-03'
120-315	= ±1		DRAWN	DATE
315-1000	= ±1.6		ANGELA	01-21-03'
1000-2000	= ±2.4		FILE NO.	F:\DWG\FME\1421G1\196AU-50\NT3G

**Amphenol**  
Danbury,CT,USA-Tainan,Taiwan-Shenzhen,China

TITLE FME BULKHEAD CRIMP PLUG  
(FOR RG-196A/U, 178B/U CABLE)

DRAWING NO. FME1421G1-NT3G-196AU-50

ITEM NO. 051421AAC16NA5F