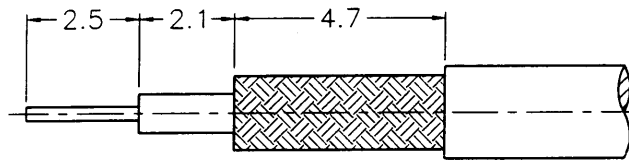
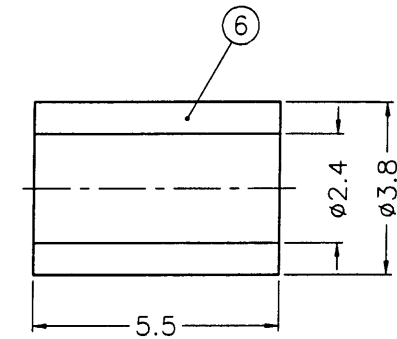
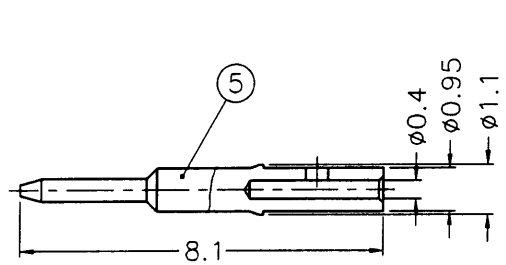
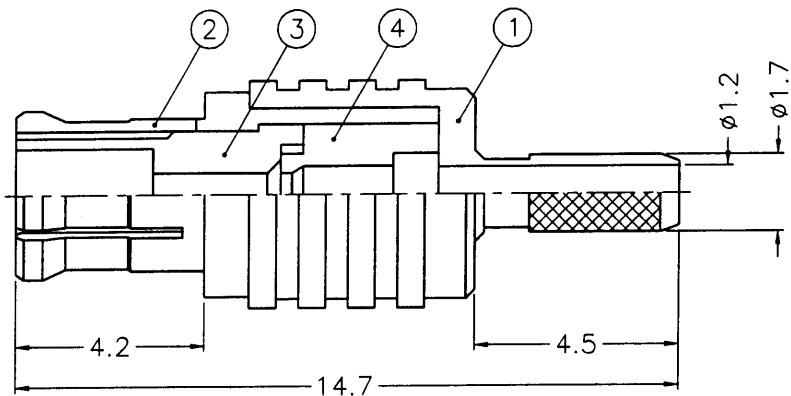


REVISIONS		
ISS	ZONE	DESCRIPTION\PER REQUEST\DATE
B	A-1	NO.2 WAS CHANGED\RD-DM89011401B\01-14-00'

業務部



RECOMMENDED
CABLE STRIPPING DIM'S
(建議剝線尺寸)



NOTES: FINISH (PLATING THICKNESS IN MICRO-INCHES)

1. BRASS PER QQ-B-626
2. GOLD PL. 3 MIN. THICK OVER NICKEL PL. 100 MIN. THICK OVER COPPER STRIKE
3. BERYLLIUM COPPER PER QQ-C-530
4. GOLD PL. 30 MIN. THICK OVER NICKEL PL. 100 MIN. THICK OVER COPPER STRIKE
5. TEFLON MIL-P-19468

出圖
89.4.25
設計部

1. CRIMPED FERRULE
HEX CRIMP SIZE .128"
2. CRIMPED CONTACT PIN
SQ. CRIMP SIZE 0.7mm

REVISIONS						DIMENSIONS ARE IN MILLIMETERS				PART NO.		Amphenol - Kai Jack TAINAN TAIWAN	
NO.	DESCRIPTION	MATERIAL	FINISH	Q'TY	DRAWING NO.	UNLESS OTHERWISE SPECIFIED TOLERANCES				APPROVED	DATE		
6	FERRULE	COPPER	NOTE 2	1	FR-38/24X55C	0.5-6 = ±0.2						MCX CRIMP PLUG (FOR RG-178B/U, 196A/U)	
5	CONTACT PIN	NOTE 1	NOTE 4	1	MCX1121A1-5-095/04	6-30 = ±0.4							DRAWING NO.
4	INSULATOR	NOTE 5	NATURAL	1	MCX1121A1-4	30-120 = ±0.6							KJ-MCX1121A1-3GT30G-196AU-50
3	INSULATOR	NOTE 5	NATURAL	1	MCX1121A1-3	120-315 = ±1							
2	BODY	NOTE 3	NOTE 2	1	MCX1121A1-2-B	315-1000 = ±1.6							
1	HOUSING	NOTE 1	NOTE 2	1	MCX1121A1-1-17/12	1000-2000 = ±2.4							
						SCALE	6/1	ISSUE	B	DRAWN: <i>Joyce</i> DATE: 04-21-00' CHECKED: <i>Andy C</i> DATE: 04-21-00' APPROVED: <i>Andy C</i> DATE: 04-21-00'			