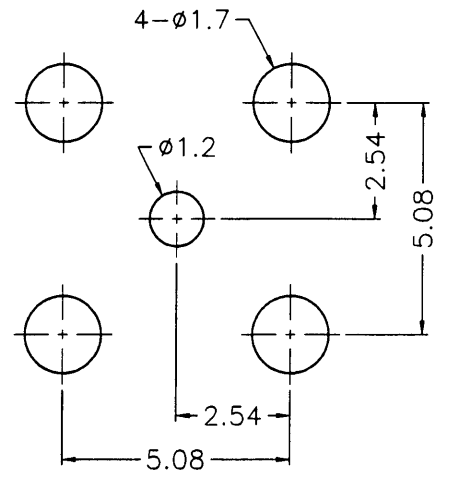


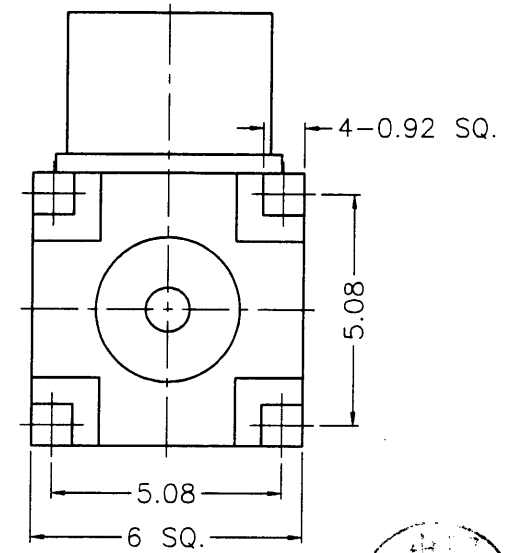
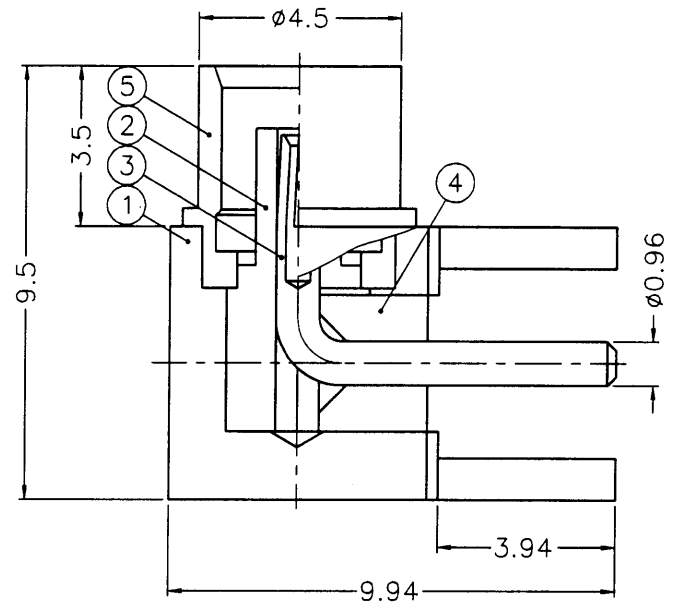
1 2 3 4 5 6 7 8

REVISIONS		
ISS	ZONE	DESCRIPTION\PER REQUEST\DATE
B	A-1	NO.2 WAS CHANGED\RD-DM88112901B\11-29-99'
		NO.3 WAS CHANGED\RD-DM88090201B\09-02-99'

業務部



PCB MOUNTING HOLE  
(印刷电路板架設孔)



- NOTES: FINISH (PLATING THICKNESS IN MICRO-INCHES)
1. BRASS PER QQ-B-626
  2. BERYLLIUM COPPER PER QQ-C-530
  3. GOLD PL. 3 MIN. THICK OVER NICKEL PL. 100 MIN. THICK OVER COPPER STRIKE
  4. GOLD PL. 30 MIN. THICK OVER NICKEL PL. 100 MIN. THICK OVER COPPER STRIKE
  5. TEFLON MIL-P-19468

88.12.04  
R A

DIMENSIONS ARE IN MILLIMETERS					PART NO.		Amphenol - Kai Jack		
5	BODY	NOTE 1	NOTE 3	1	MCX6252B1-5-B	TAINAN TAIWAN			
4	INSULATOR	NOTE 5	NATURAL	1	MCX6252B1-4T-50-B	TITLE			
3	CONTACT PIN	NOTE 2	NOTE 4	1	MCX6252B1-3-B	MCX R/A P.C. BOARD RECEPT. JACK			
2	INSULATOR	NOTE 5	NATURAL	1	MCX6252B1-2T-50-C	DRAWING NO.			
1	HOUSING	NOTE 1	NOTE 3	1	MCX6252B1-1-B	KJ-MCX6252B1-3GT30G-50			
NO.	DESCRIPTION	MATERIAL	FINISH	Q'TY	DRAWING NO.	SCALE	6/1	ISSUE	B
					UNLESS OTHERWISE SPECIFIED TOLERANCES		APPROVED		DATE
					0.5-6 = ±0.2		12-01-99'		
					6-30 = ±0.4		CHECKED		DATE
					30-120 = ±0.6		12-01-99'		
					120-315 = ±1		DRAWN		DATE
					315-1000 = ±1.6		12-01-99'		
					1000-2000 = ±2.4		12-01-99'		
					SCALE		FILE NO.		F:\DWG\MCX\6252B1\50\3GT30G

MCX-R0715