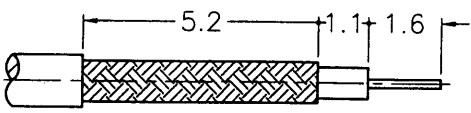
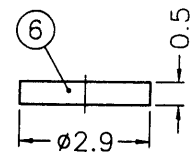
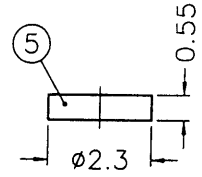
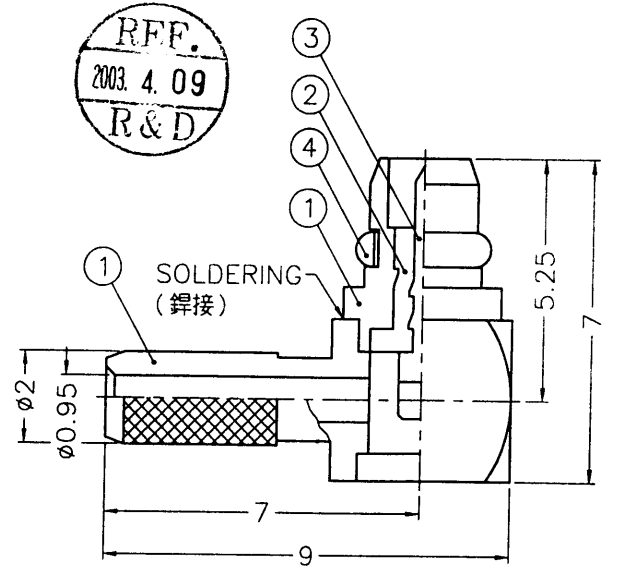
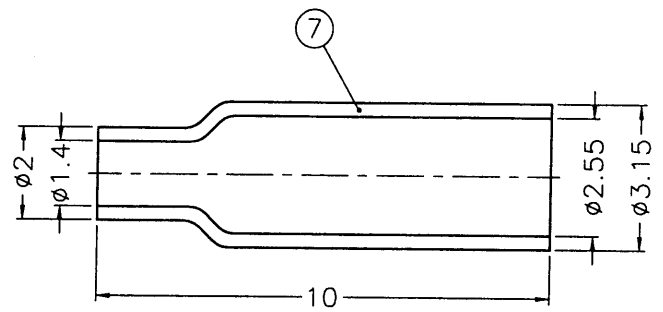


1 2 3 4 5 6 7 8

REVISIONS			
ISS	ZONE	DESCRIPTION\PER REQUEST\DATE	



RECOMMENDED  
CABLE STRIPPING DIM'S  
(建議剝線尺寸)



- 1. CRIMPED FERRULE  
HEX. CRIMP SIZE .105"
- 2. CONTACT PIN TO SOLDER

NOTES: FINISH (PLATING THICKNESS IN MICRO-INCHES)

- 1. BRASS PER QQ-B-626
- 2. BRASS PER QQ-B-613
- 3. GOLD PL. 3 MIN. THICK OVER NICKEL PL. 100 MIN. THICK OVER COPPER STRIKE
- 4. BERYLLIUM COPPER PER QQ-C-530
- 5. GOLD PL. 30 MIN. THICK OVER NICKEL PL. 100 MIN. THICK OVER COPPER STRIKE
- 6. TEFLON MIL-P-19468

NO.	DESCRIPTION	MATERIAL	FINISH	Q'TY	DRAWING NO.
7	FERRULE	COPPER	NOTE 3	1	FROOACM01A
6	COVER	NOTE 2	NOTE 3	1	CV-29X05-T
5	INSULATOR	NOTE 6	NATURAL	1	MMCX1112A1-004-6T-B
4	RETAINER RING	NOTE 4	NOTE 3	1	MMCX1121A1-5-D
3	CONTACT PIN	NOTE 1	NOTE 5	1	MMCX1112A1-4-B
2	INSULATOR	NOTE 6	NATURAL	1	MMCX1112A1-3T-50-B
1	HOUSING WITH BODY	NOTE 1	NOTE 3	1	

DIMENSIONS ARE IN MILLIMETERS  
UNLESS OTHERWISE SPECIFIED TOLERANCES  
0.5-6 = ±0.2  
6-30 = ±0.4  
30-120 = ±0.6  
120-315 = ±1  
315-1000 = ±1.6  
1000-2000 = ±2.4

PART NO.	
APPROVED	<i>Garckey</i> DATE 04-08-03'
CHECKED	<i>Ken</i> DATE 04-08-03'
DRAWN	<b>KEN</b> DATE 04-08-03'

<b>Amphenol</b>	
Danbury, CT, USA - Tainan, Taiwan - Shenzhen, China	
TITLE	MMCX R/A CRIMP PLUG (FOR Ø1.13 CABLE)
DRAWING NO.	MMCX1112A1-014-3GT30G-50
ITEM NO.	

NO.	DESCRIPTION	MATERIAL	FINISH	Q'TY	DRAWING NO.	SCALE	6/1	ISSUE	1	FILE NO.	F:\DWG\MMCX\1112A1\014\50\3GT30G
-----	-------------	----------	--------	------	-------------	-------	-----	-------	---	----------	----------------------------------

F  
E  
D  
C  
B  
A

F  
E  
D  
C  
B  
A

1 2 3 4 5 6 7 8