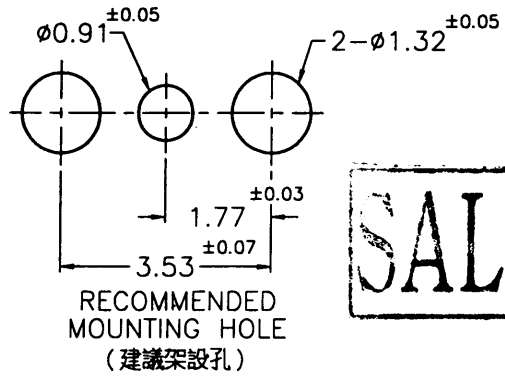
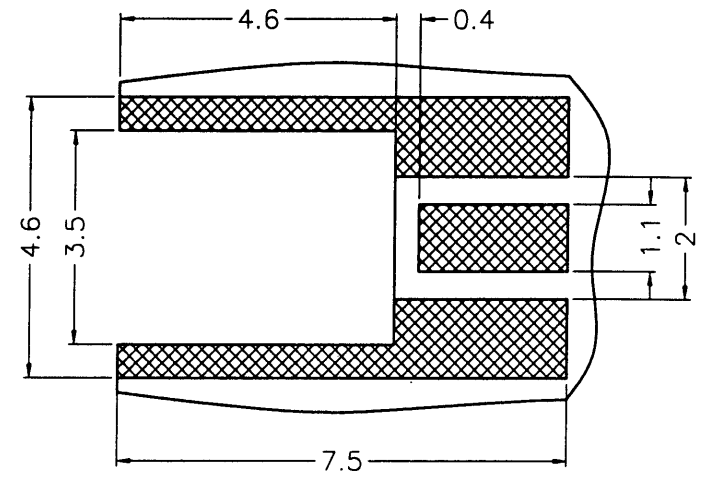
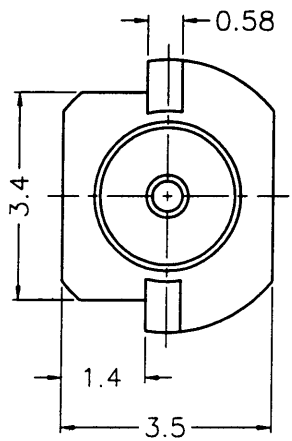
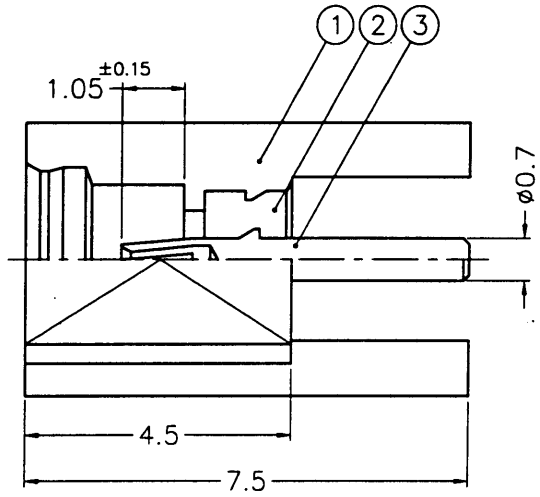


REVISIONS			
ISS	ZONE	DESCRIPTION\PER REQUEST\DATE	
B	A-1	NO.1 WAS CHANGED\RD-DM88030901K\03-09-99'	
C	A-1	NO.1 WAS CHANGED\RD-DM91070801H\07-08-02'	



REMARK : 1. BETWEEN NO.1 AND NO.2 MUST WITHSTAND A 2.3 LBS MIN. SEPARATED FORCE.
 2. BETWEEN NO.2 AND NO.3 MUST WITHSTAND A 2.3 LBS MIN. SEPARATED FORCE.
 (1. 零件1及零件2至少須承受2.3磅的脫離力量)
 (2. 零件2及零件3至少須承受2.3磅的脫離力量)

SALES



RECOMMENDED MOUNTING PATTERN (建議架設模型)

PATTERN

LAND(FREE OF SOLDER MASK)

1. MAX. PATTERN THICKNESS=1.6mm

- NOTES: FINISH (PLATING THICKNESS IN MICRO-INCHES)
 1. BRASS PER QQ-B-626
 2. GOLD PL. 3 MIN. THICK OVER NICKEL PL. 100 MIN. THICK OVER COPPER STRIKE
 3. BERYLLIUM COPPER PER QQ-C-530
 4. GOLD PL. 30 MIN. THICK OVER NICKEL PL. 100 MIN. THICK OVER COPPER STRIKE
 5. TEFLON MIL-P-19468

ISSUED
2002.7.10
R&D

ED
7.10
&D

DIMENSIONS ARE IN MILLIMETERS					PART NO.			
UNLESS OTHERWISE SPECIFIED TOLERANCES					APPROVED			
0.5-6 = ±0.2					DATE 07-08-02'			
6-30 = ±0.4					CHECKED			
30-120 = ±0.6					DATE 07-08-02'			
120-315 = ±1					DRAWN			
315-1000 = ±1.6					DATE 07-08-02'			
1000-2000 = ±2.4					FILE NO. CA DWG\MMCX\6251S1\50\3GT30G			
3	CONTACT PIN	NOTE 3	NOTE 4	1	MMCX6251N1-3	Amphenol - Kai Jack TAINAN TAIWAN TITLE MMCX EDGECARD MOUNT JACK DRAWING NO. KJ-MMCX6251S1-3GT30G-50 ITEM NO. 096251AC02GE5F		
2	INSULATOR	NOTE 5	NATURAL	1	MMCX6251N1-2T-50			
1	BODY	NOTE 1	NOTE 2	1	MMCX6251S1-1-C			
NO.	DESCRIPTION	MATERIAL	FINISH	Q'TY	DRAWING NO.			

7RD-DR/14816 8