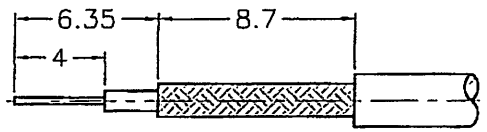
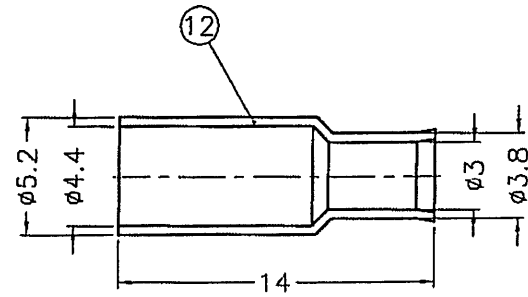
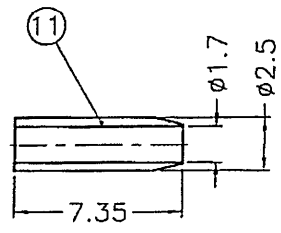
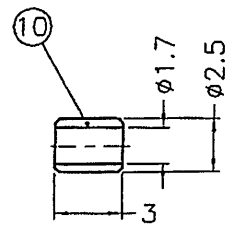
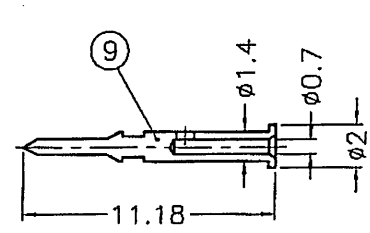
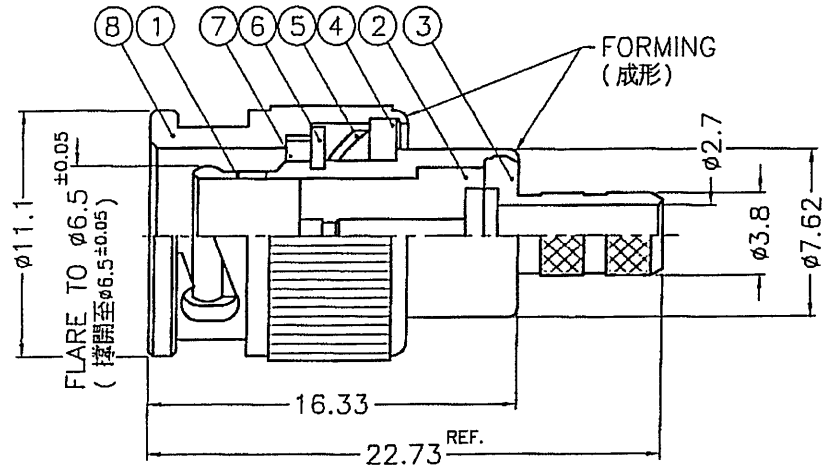


REVISIONS		
ISS	ZONE	DESCRIPTION \ PER REQUEST \ DATE
B	A-1	NO.1 WAS CHANGED \ RA-DMO4121501A \ 12-15-04'

SALES



RECOMMENDED
CABLE STRIPPING DIM'S
(建議剝線尺寸)



ISSUED
2004.12.21
R&D

- NOTES: FINISH (PLATING THICKNESS IN MICRO-INCHES)
- BRASS PER QQ-B-626
 - BRASS PER QQ-B-613
 - NICKEL PL. 100 MIN. THICK OVER COPPER STRIKE
 - NICKEL PL. 200 MIN. THICK OVER COPPER STRIKE
 - GOLD PL. 30 MIN. THICK OVER NICKEL PL. 100 MIN. THICK OVER COPPER STRIKE
 - TEFLON MIL-P-19468
 - PHOSPHOR BRONZE PER QQ-B-750

1. CRIMPED FERRULE
HEX CRIMP SIZE .178"

NO.	DESCRIPTION	MATERIAL	FINISH	Q'TY	DRAWING NO.
12	FERRULE			1	FR-52/44-38/3 X14
11	SPACER			1	SPO0AAA11A
10	SLEEVE	DELTRIN	NATURAL	1	SL-25/17X3
9	CONTACT PIN			1	CP31AAC07A
8	SHELL			1	SH31AAA01A
7	GASKET	SILICONE	RED	1	GS00AAA50A
6	RETAINER RING			1	RR00AAK01B
5	SPRING	SK5		1	SG00AAG01A
4	WASHER			1	WS00AAD27A
3	BARREL			1	BR00AJR01A
2	INSULATOR			1	NS00DAGP01A
1	BODY			1	BD31AAD01B

DIMENSIONS ARE IN MILLIMETERS
UNLESS OTHERWISE SPECIFIED TOLERANCES

0.5-6	= ±0.2
6-30	= ±0.4
30-120	= ±0.6
120-315	= ±1
315-1000	= ±1.6
1000-2000	= ±2.4

PART NO.	
APPROVED	DATE 12-18-04'
CHECKED	DATE 12-18-04'
DRAWN	DATE 12-18-04'

Amphenol	
Danbury, CT, USA - Tainan, Taiwan - Shenzhen, China	
TITLE MINI BNC CRIMP PLUG (FOR RG-316/U, 174/U, 188A/U CABLE)	
DRAWING NO. MNB1121E1-001-NT30G-75	
ITEM NO. 311121AAD36NC7F	

NO.	DESCRIPTION	MATERIAL	FINISH	Q'TY	DRAWING NO.	SCALE	3/1	ISSUE	B	FILE NO.
										F:\DWG\MNB\1121E1\001\75\NT30G-BSZ

7 RD-R 52907 B