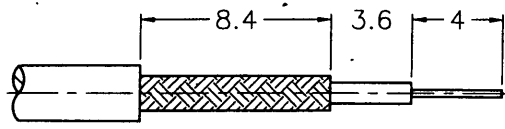
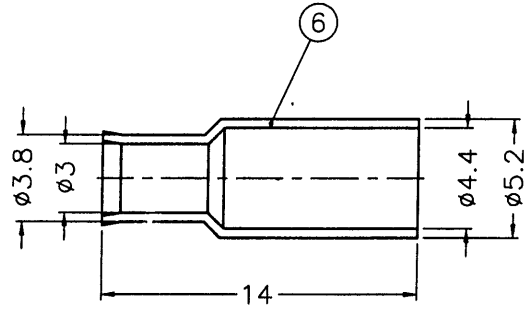
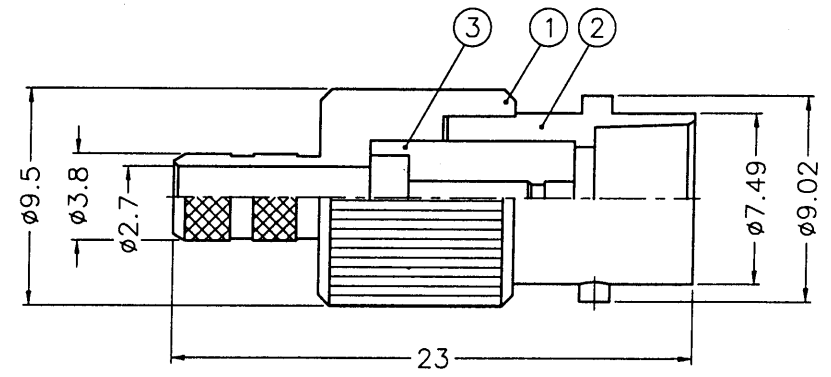
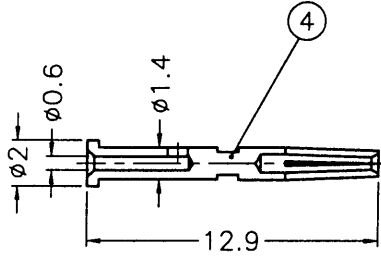
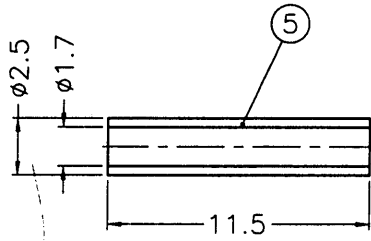


REVISIONS			
ISS	ZONE	DESCRIPTION\PER REQUEST\DATE-	

**SALES**



RECOMMENDED  
CABLE STRIPPING DIM'S  
(建議剝線尺寸)



ISSUED  
2004. 1. 16  
R&D

1. CRIMPED FERRULE  
HEX CRIMP SIZE .178"
2. CONTACT PIN TO SOLDER

NOTES: FINISH (PLATING THICKNESS IN MICRO-INCHES)  
 1. BRASS PER QQ-B-626  
 2. NICKEL PL. 100 MIN. THICK OVER COPPER STRIKE  
 3. BERYLLIUM COPPER QQ-C-530  
 4. GOLD PL. 3 MIN. THICK OVER NICKEL PL. 100 MIN. THICK OVER COPPER STRIKE  
 5. TEFLON MIL-P-19468

DIMENSIONS ARE IN MILLIMETERS					PART NO.		<b>Amphenol</b>	
5	FERRULE	NOTE 1	NOTE 2	1	FR-52/44-38/3 X14	APPROVED	DATE	Danbury,CT,USA-Tainan,Taiwan-Shenzhen,China
5	SLEEVE	DELTRIN	NATURAL	1	SL-25/17X115	<i>Alan. 25</i>	01-13-04'	TITLE
4	CONTACT PIN	NOTE 3	NOTE 4	1	CP31AAD03A	CHECKED	DATE	MINI BNC CRIMP JACK
3	INSULATOR	NOTE 5	NATURAL	1	NS00AGR01A	<i>Alan. 25</i>	01-13-04'	(FOR RG-316/U, 174/U, 188A/U CABLE)
2	BODY	NOTE 1	NOTE 2	1	BD31AAG01A	DRAWN	DATE	DRAWING NO.
1	HOUSING	NOTE 1	NOTE 2	1	HS31AAB01A	<i>Enya</i>	01-13-04'	MNB6121A1-NT3G-316U-75
NO.	DESCRIPTION	MATERIAL	FINISH	Q'TY	DRAWING NO.	FILE NO.	ITEM NO. 316121AAA36NA7F	

UNLESS OTHERWISE SPECIFIED TOLERANCES  
 0.5-6 = ±0.2  
 6-30 = ±0.4  
 30-120 = ±0.6  
 120-315 = ±1  
 315-1000 = ±1.6  
 1000-2000 = ±2.4

SCALE 3/1 ISSUE A1  
 F:\DWG\MNB\6121A1\316U-75\NT3G