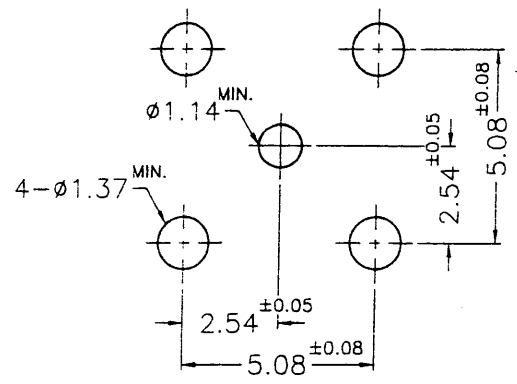


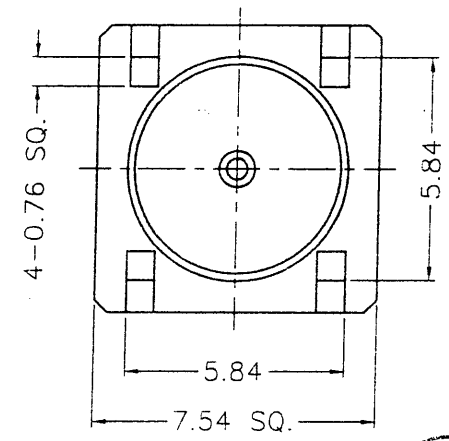
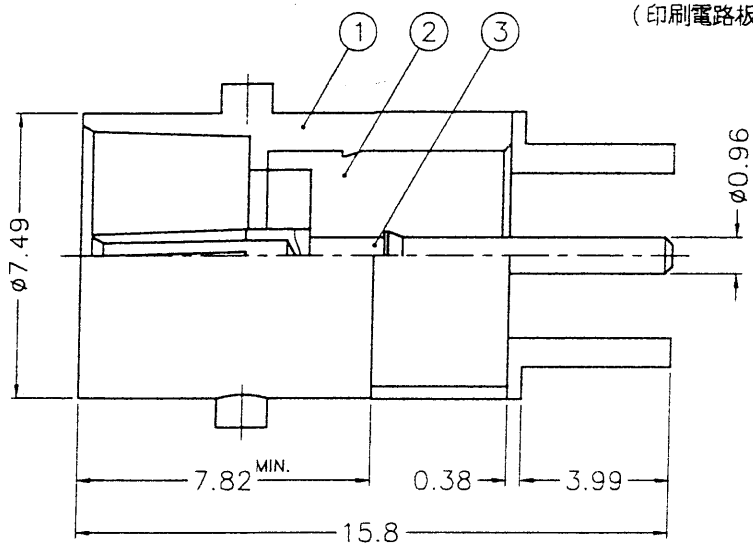
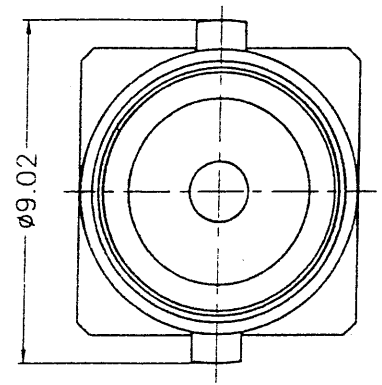
1 2 3 4 5 6 7 8

REVISIONS			
ISS	ZONE	DESCRIPTION\PER REQUEST\DATE	
A1	D-7	SIDE VIEWS WERE CHANGED\N/A\06-17-02'	



SALES

PCB MOUNTING HOLE
(印刷电路板架設孔)



- NOTES: FINISH (PLATING THICKNESS IN MICRO-INCHES)
- BRASS PER QQ-B-626
 - GOLD PL. 3 MIN. THICK OVER NICKEL PL. 100 MIN. THICK OVER COPPER STRIKE
 - BERYLLIUM COPPER PER QQ-C-530
 - GOLD PL. 30 MIN. THICK OVER NICKEL PL. 100 MIN. THICK OVER COPPER STRIKE
 - TEFLON MIL-P-19468

ISSUED
2002. 5. 18
R&D

36

					DIMENSIONS ARE IN MILLIMETERS				PART NO.		Amphenol - Kai Jack	
					UNLESS OTHERWISE SPECIFIED TOLERANCES				APPROVED <i>Mark C</i> DATE 06-17-02'		TAINAN TAIWAN	
					0.5-6 = ±0.2				CHECKED <i>Kanly</i> DATE 06-17-02'		TITLE MINI BNC P.C. MOUNT RECEPT. JACK	
					6-30 = ±0.4				DRAWN <i>Kanly</i> DATE 06-17-02'		DRAWING NO. KJ-MNB6251A1-001-3GT30G-75	
					30-120 = ±0.6				FILE NO. F:\DWG\MNB\6251A1\001\75\3GT30G		ITEM NO. 316251AAA35GE7F	
					120-315 = ±1							
					315-1000 = ±1.6							
					1000-2000 = ±2.4							
3	CONTACT PIN	NOTE 3	NOTE 4	1	CP31AAA01A	SCALE	5/1	ISSUE	A1			
2	INSULATOR	NOTE 5	NATURAL	1	NS00AGL01A							
1	BODY	NOTE 1	NOTE 2	1	BD31AAB01A							
NO.	DESCRIPTION	MATERIAL	FINISH	Q'TY	DRAWING NO.							

1 2 3 4 5 6 7 8

7RD-DR-14703 8