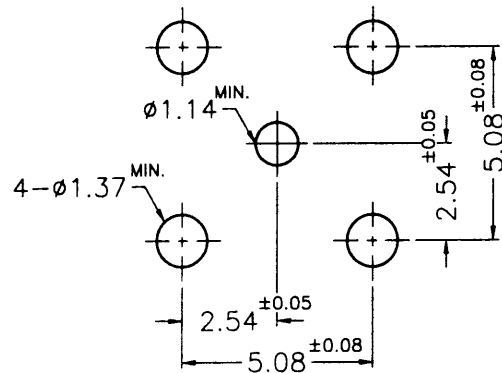


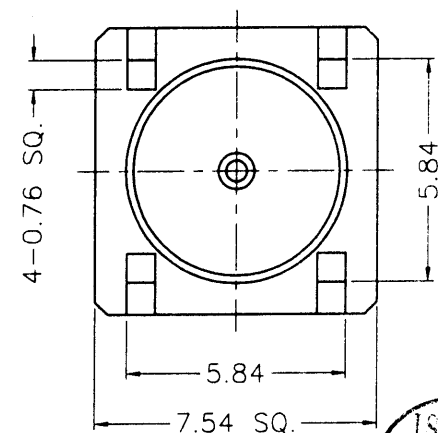
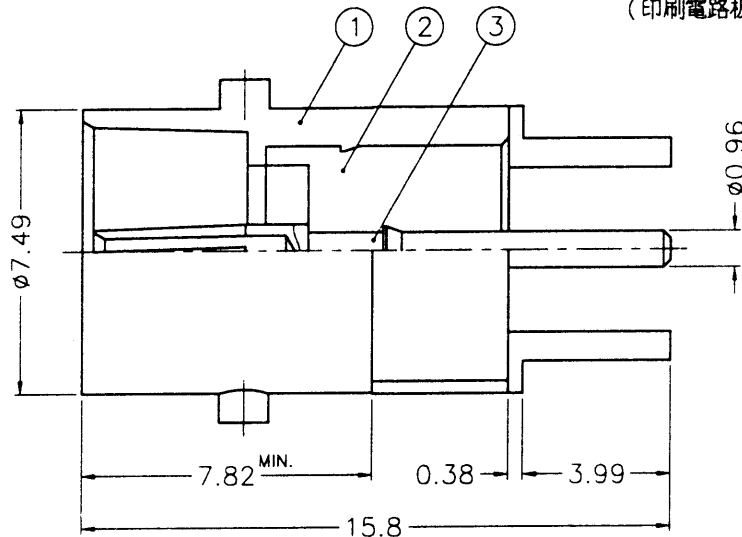
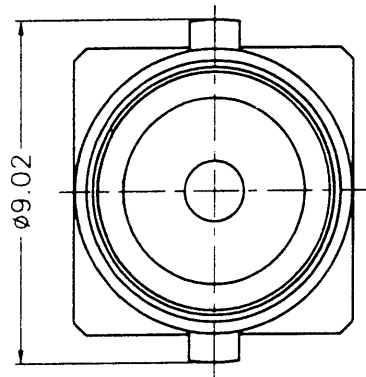
REVISIONS

ISS	ZONE	DESCRIPTION\PER REQUEST\DATE
A1	-	Ø0.96, 5.84, 7.82 MIN. WERE Ø1, 4.5, 7.82\N/A\11-28-01'
A2	D-7	SIDE VIEWS WERE CHANGED\N/A\06-17-02'

**SALES**



PCB MOUNTING HOLE  
(印刷電路板架設孔)



NOTES: FINISH (PLATING THICKNESS IN MICRO-INCHES)

- BRASS PER QQ-B-626
- NICKEL PL. 100 MIN. THICK OVER COPPER STRIKE
- BERYLLIUM COPPER PER QQ-C-530
- GOLD PL. 30 MIN. THICK OVER NICKEL PL. 100 MIN. THICK OVER COPPER STRIKE
- TEFLON MIL-P-19468

ISSUED  
2002. 6. 18  
R&D

DIMENSIONS ARE IN MILLIMETERS			PART NO.		
UNLESS OTHERWISE SPECIFIED TOLERANCES			APPROVED	DATE	
0.5-6 = ±0.2				06-17-02'	
6-30 = ±0.4				CHECKED	DATE
30-120 = ±0.6					06-17-02'
120-315 = ±1			DRAWN		DATE
315-1000 = ±1.6				06-17-02'	
1000-2000 = ±2.4				FILE NO.	F:\DWG\MNB\6251A1\001\75\NT30G

**Amphenol - Kai Jack**

TAINAN TAIWAN

TITLE	MINI BNC P.C. MOUNT RECEPT. JACK
DRAWING NO.	KJ-MNB6251A1-001-NT30G-75
ITEM NO.	316251AAA35NC7F

NO.	DESCRIPTION	MATERIAL	FINISH	Q'TY	DRAWING NO.
3	CONTACT PIN			1	CP31AAA01A
2	INSULATOR		NATURAL	1	NS00AGL01A
1	BODY			1	BD31AAB01A

7PD-DR 120028