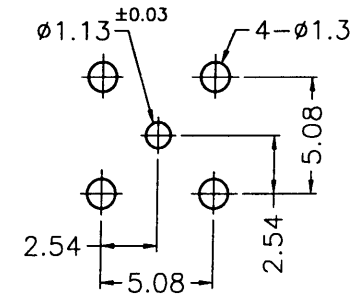
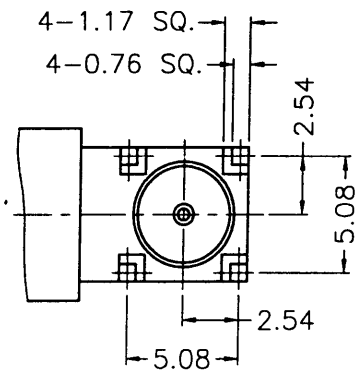


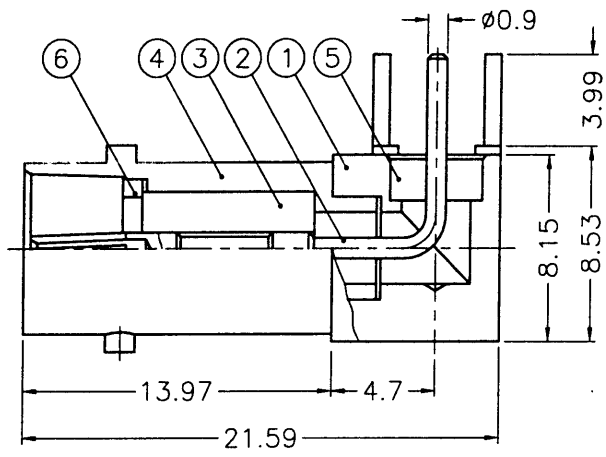
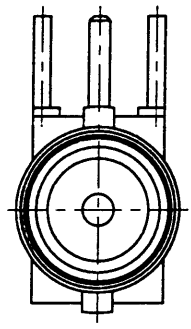
1 2 3 4 5 6 7 8

REVISIONS			
ISS	ZONE	DESCRIPTION\PER REQUEST\DATE	

SALES



PCB MOUNTING HOLE
(印刷电路板架設孔)



ISSUED
2002. 2. 22
R&D

ISSUED
2002. 2. 2
R&D

NOTES: FINISH (PLATING THICKNESS IN MICRO-INCHES)
 1. BRASS PER QQ-B-626
 2. NICKEL PL. 100 MIN. THICK OVER COPPER STRIKE
 3. BERYLLIUM COPPER PER QQ-C-530
 4. GOLD PL. 30 MIN. THICK OVER NICKEL PL. 100 MIN. THICK OVER COPPER STRIKE
 5. TEFLON MIL-P-19468

DIMENSIONS ARE IN MILLIMETERS						PART NO.				Amphenol - Kai Jack TAINAN TAIWAN		
UNLESS OTHERWISE SPECIFIED TOLERANCES						APPROVED	DATE					TITLE
6	LOCK RING	NOTE 1	NOTE 2	1	LR00AAP01A	0.5-6 = ±0.2	AOK. C	02-21-02'			MINI BNC R/A PCB MOUNT JACK	
5	INSULATOR	NOTE 5	NATURAL	1	NS00AGM02A	6-30 = ±0.4		CHECKED	02-21-02'			DRAWING NO.
4	BODY	NOTE 1	NOTE 2	1	BD31AAF01A	30-120 = ±0.6	Karl. J.	02-21-02'			KJ-MNB6252A1-002-NT30G-75	
3	INSULATOR	NOTE 5	NATURAL	1	NS00AGM01A	120-315 = ±1		DRAWN	02-21-02'			ITEM NO.
2	CONTACT PIN	NOTE 3	NOTE 4	1	CP31AAB01A	315-1000 = ±1.6					316252AAB36NC7F	
1	HOUSING	NOTE 1	NOTE 2	1	HS00ACY01A	1000-2000 = ±2.4						
NO.	DESCRIPTION	MATERIAL	FINISH	Q'TY	DRAWING NO.	SCALE	3/1	ISSUE	A3	FILE NO.	F:\DWG\MNB\6252A1\002\75\NT30G-A3	

7FD-DR 13859 8