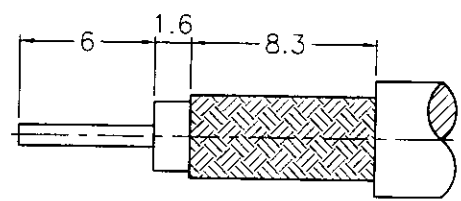


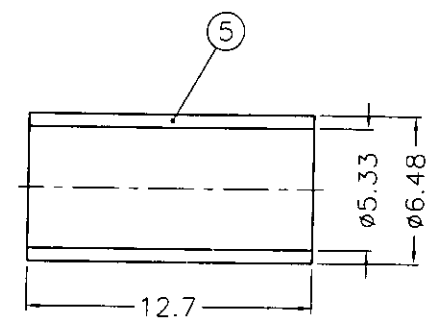
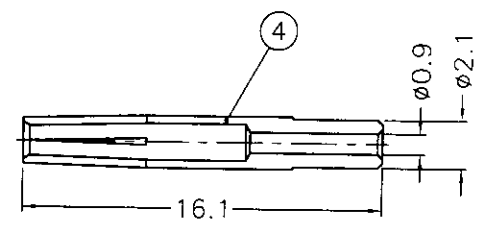
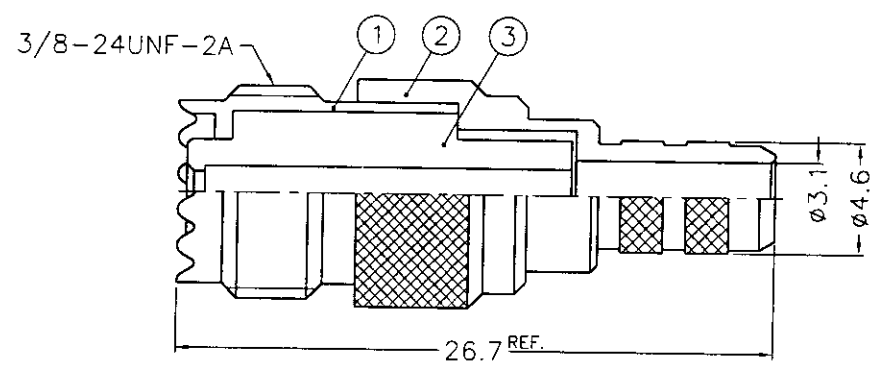
1 2 3 4 5 6 7 8

REVISIONS		
ISS	ZONE	DESCRIPTION\PER REQUEST\DATE

業務部



RECOMMENDED
CABLE STRIPPING DIM'S
(建議剝線尺寸)



NOTES: FINISH (PLATING THICKNESS IN MICRO-INCHES)
 1. BRASS PER QQ-B-626
 2. NICKEL PL. 100 MIN. THICK OVER COPPER STRIKE
 3. PHOSPHOR BRONZE PER QQ-B-750
 4. GOLD PL. 3 MIN. THICK OVER NICKEL PL. 100 MIN. THICK OVER COPPER STRIKE
 5. TEFLON MIL-P-19468

出圖
88.5.12
R&D

DIMENSIONS ARE IN MILLIMETERS				PART NO.	
UNLESS OTHERWISE SPECIFIED TOLERANCES				APPROVED <i>Mark C</i> DATE 05-11-99'	
0.5-6 = ±0.2				CHECKED <i>Mark C</i> DATE 05-11-99'	
6-30 = ±0.4				DRAWN <i>Betty S</i> DATE 05-11-99'	
30-120 = ±0.6					
120-315 = ±1					
315-1000 = ±1.6					
1000-2000 = ±2.4					

<p>KAI JACK INDUSTRIAL CO., LTD. TAINAN TAIWAN R.O.C.</p>	TITLE	MINI-UHF CRIMP JACK
	DRAWING NO.	KJ-MU6121A1-NT3G-58U-50
	FILE NO.	F:\DWG\MU\6121A1\58U-50\NT3G

NO.	DESCRIPTION	MATERIAL	FINISH	Q'TY	DRAWING NO.
5	FERRULE	COPPER	NOTE 2	1	FR-648/533X127C
4	CONTACT PIN	NOTE 3	NOTE 4	1	MU7005-4-21/09
3	INSULATOR	NOTE 5	NATURAL	1	MU6121A1-3T-50
2	BARREL	NOTE 1	NOTE 2	1	MU6121A1-2-46/31
1	BODY	NOTE 1	NOTE 2	1	RSA-3450-2

A

A

1 2 3 4 5 6 7 8

8mu body