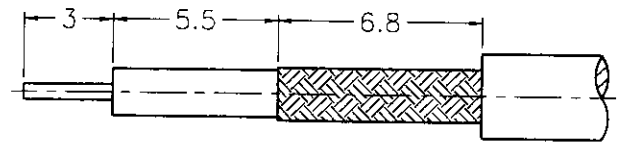


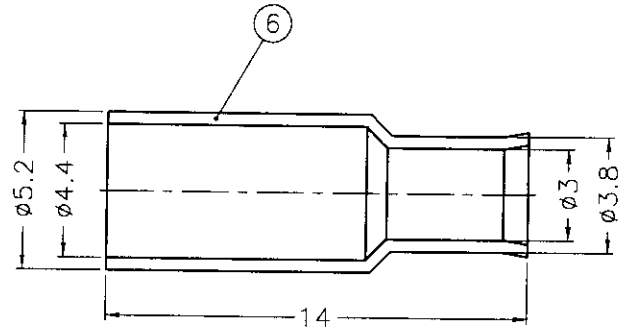
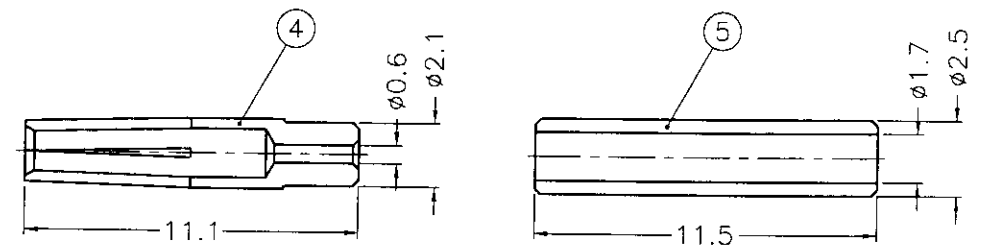
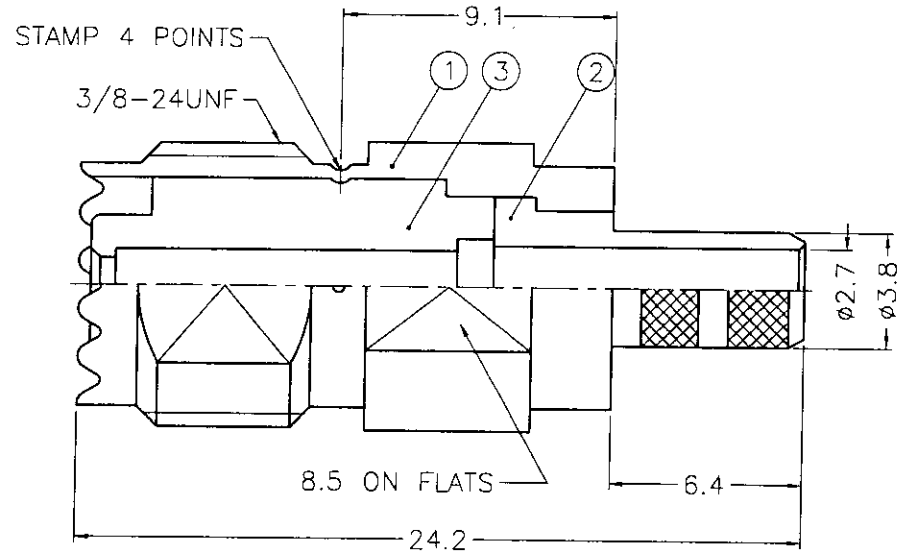
1 2 3 4 5 6 7 8

REVISIONS			
ISS	ZONE	DESCRIPTION	APPROVED \ DATE

業務部



RECOMMENDED
CABLE STRIPPING DIM'S



NOTES: FINISH (PLATING THICKNESS IN MICRO-INCHES)
 1. BRASS PER QQ-B-626
 2. PHOSPHOR BRONZE PER QQ-B-750
 3. NICKEL PL. 100 MIN. THICK OVER COPPER STRIKE
 4. NICKEL PL. 100 MIN. THICK OVER COPPER PL. 300 MIN. THICK
 5. GOLD PL. 3 MIN. THICK OVER NICKEL PL. 100 MIN. THICK
 OVER COPPER STRIKE
 6. JIS H 3260, C 3501

87.9.07
R & D

NO.	DESCRIPTION	MATERIAL	FINISH	Q'TY	DRAWING NO.
6	FERRULE		NOTE 6	NOTE 3	1 FR-52/44-38/3X14
5	SLEEVE	DELIN	NATURAL	1	SL-25/17X115
4	CONTACT PIN		NOTE 2	NOTE 5	1 MU6121F1-4-21/06
3	INSULATOR	DELIN	NATURAL	1	MU6121F1-3-50-B
2	BARREL		NOTE 1	NOTE 3	1 MU6121F1-2-38/27
1	BODY	DIECAST	NOTE 4	1	MU6121F1-1

DIMENSIONS ARE IN MILLIMETERS
 UNLESS OTHERWISE SPECIFIED TOLERANCES
 0.5-6 = ±0.2
 6-30 = ±0.4
 30-120 = ±0.6
 120-315 = ±1
 315-1000 = ±1.6
 1000-2000 = ±2.4

PART NO.	
APPROVED	DATE 09-04-98'
CHECKED	DATE 09-04-98'
DRAWN	DATE 09-04-98'

KAI JACK INDUSTRIAL CO., LTD.
TAINAN TAIWAN R.O.C.

TITLE: MINI-UHF CRIMP JACK

DRAWING NO.: KJ-MU6121F1-ND3G-316U-50

FILE NO.: F:\DWG\MU\6121F1\316U-50\ND3G

A

A

1 2 3 4 5 6 7 8 MU-Ro-6