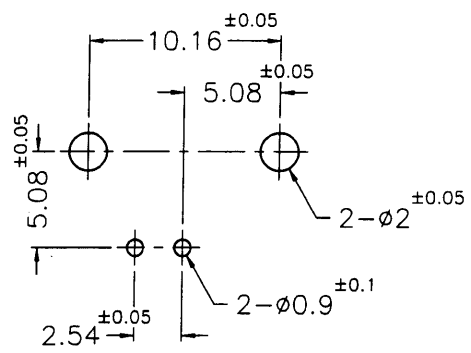
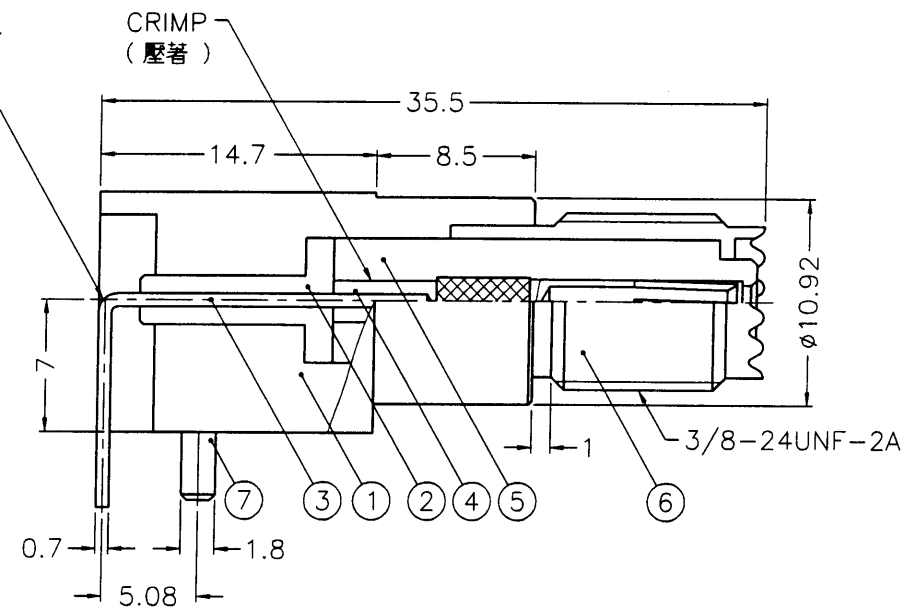
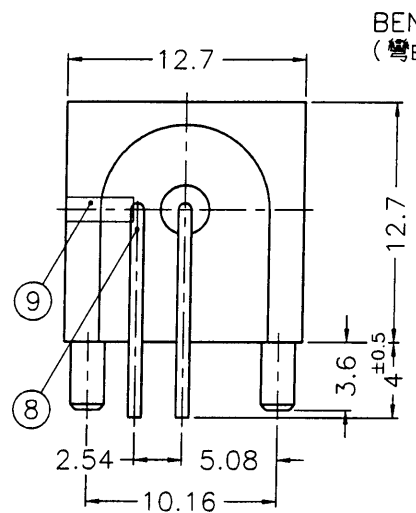


業務部

REVISIONS				
ISS	ZONE	DESCRIPTION	PER REQUEST	DATE



PCB MOUNTING HOLES
(印刷电路板架設孔)



- NOTES: FINISH (PLATING THICKNESS IN MICRO-INCHES)
1. BRASS PER QQ-B-626
 2. NICKEL PL. 100 MIN. THICK OVER COPPER STRIKE
 3. PHOSPHOR BRONZE PER QQ-B-750
 4. GOLD PL. 3 MIN. THICK OVER NICKEL PL. 100 MIN. THICK OVER COPPER STRIKE
 5. TEFLON MIL-P-19468
 6. TIN-LEAD (90/10) PL. 100 MIN. OVER NICKEL PL. 50 MIN. OVER COPPER PL. 100 MIN.

出圖
89.3.07
R & D

NO.	DESCRIPTION	MATERIAL	FINISH	Q'TY	DRAWING NO.
9	PIN		NOTE 1	NOTE 2	1 MU6252HB-9
8	CONTACT PIN		NOTE 3	NOTE 4	1 MU6252HB-8
7	PIN		NOTE 1	NOTE 6	2 MU6252HB-7
6	BODY		NOTE 1	NOTE 2	1 MU6252HB-6
5	INSULATOR		NOTE 5	NATURAL	1 MU6252HB-5T-50
4	CONTACT PIN		NOTE 3	NOTE 4	1 MU6252HB-4
3	CONTACT PIN		NOTE 3	NOTE 4	1 MU6252HB-3
2	INSULATOR		NOTE 5	NATURAL	1 MU6252HB-2T-50
1	HOUSING		NOTE 1	NOTE 2	1 MU6252HB-1

DIMENSIONS ARE IN MILLIMETERS

UNLESS OTHERWISE SPECIFIED TOLERANCES

0.5-6 = ±0.2
6-30 = ±0.4
30-120 = ±0.6
120-315 = ±1
315-1000 = ±1.6
1000-2000 = ±2.4

PART NO.	
APPROVED	DATE 03-07-00'
CHECKED	DATE 03-07-00'
DRAWN	DATE 03-07-00'

Amphenol - Kai Jack	
TAINAN TAIWAN	
TITLE	MINI-UHF R/A PC MOUNT RECEPT. JACK
DRAWING NO.	KJ-MU6252HB-NT3G-50
FILE NO.	F:\DWG\MU\6252HB\50\NT3G

F
E
D
C
B
A

1 2 3 4 5 6 7 8