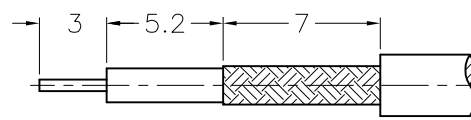
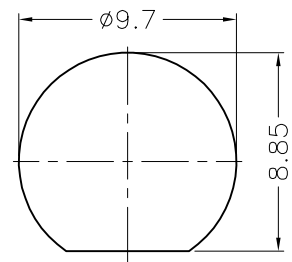


REVISIONS			
ISS	ZONE	DESCRIPTION\PER	REQUEST\DATE

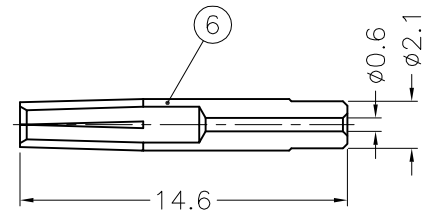
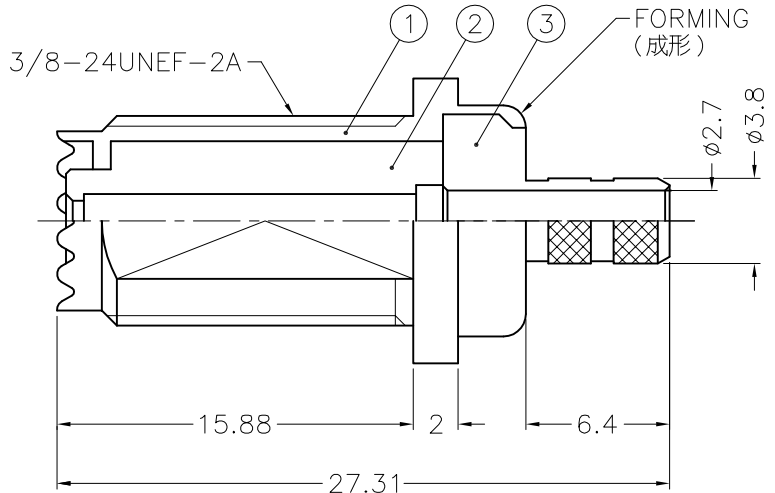
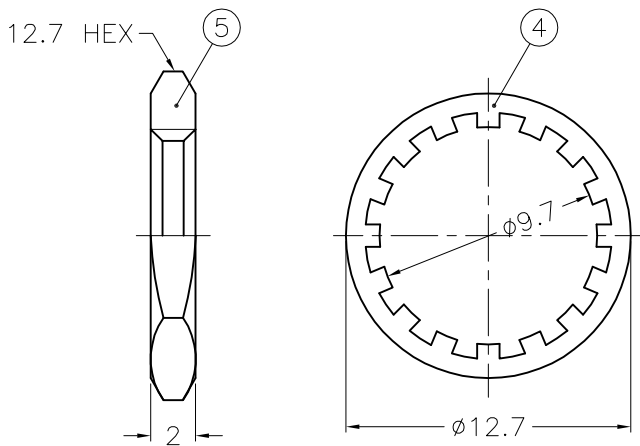


RECOMMENDED CABLE STRIPPING DIM'S (建議剝線尺寸)



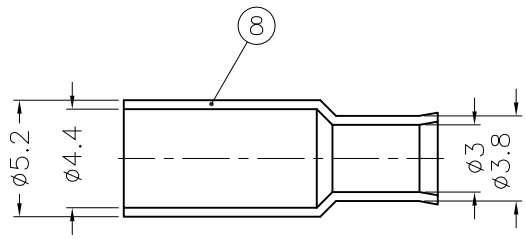
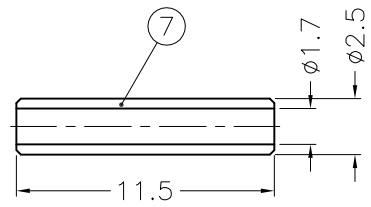
RECOMMENDED MOUNTING HOLE (建議架設孔)

F
E
D
C
B
A



1. CRIMPED FERRULE HEX CRIMP SIZE .178"
2. CRIMPED CONTACT PIN HEX CRIMP SIZE .068"
3. MAX. PANEL THICKNESS=6mm

- NOTES: FINISH (PLATING THICKNESS IN MICRO-INCHES)
1. BRASS PER QQ-B-626
 2. BRASS PER QQ-B-613
 3. NICKEL PL. 100 MIN. THICK OVER COPPER STRIKE
 4. PHOSPHOR BRONZE PER QQ-B-750
 5. GOLD PL. 3 MIN. THICK OVER NICKEL PL. 100 MIN. THICK OVER COPPER STRIKE
 6. TEFLON MIL-P-19468
 7. JIS H 3260, C 3501



8	FERRULE	NOTE 7	NOTE 3	1	FR-52/44-38/3 X14
7	SLEEVE	DELRIN	NATURAL	1	SL-25/17X115
6	CONTACT PIN	NOTE 4	NOTE 5	1	MU6121F1-4-21/06
5	HEX NUT	NOTE 1	NOTE 3	1	HN127-3/8-24X2
4	LOCK WASHER	NOTE 2	NOTE 3	1	LW-127/97X05
3	BARREL	NOTE 1	NOTE 3	1	B74000-4-38/27 S
2	INSULATOR	NOTE 6	NATURAL	1	MU6421E1-2T-50
1	BODY	NOTE 1	NOTE 3	1	MU6421E1-1
NO.	DESCRIPTION	MATERIAL	FINISH	Q'TY	DRAWING NO.

DIMENSIONS ARE IN MILLIMETERS			
UNLESS OTHERWISE SPECIFIED TOLERANCES			
0.5-6	=	±0.2	
6-30	=	±0.4	
30-120	=	±0.6	
120-315	=	±1	
315-1000	=	±1.6	
1000-2000	=	±2.4	
SCALE	3/1	ISSUE	A1

PART NO.	KJ-MU6421E2-NT3G-316U-50	<h1>Amphenol - Kai Jack</h1> <p>TAINAN TAIWAN</p>
APPROVED	DATE 09-07-01'	
CHECKED	DATE 09-07-01'	TITLE
DRAWN	DATE 09-07-01'	DRAWING NO.
ERIC		KJ-MU6421E2-NT3G-316U-50
		FILE NO.
		F:\DWG\MU\6421E2\316U-50\NT3G