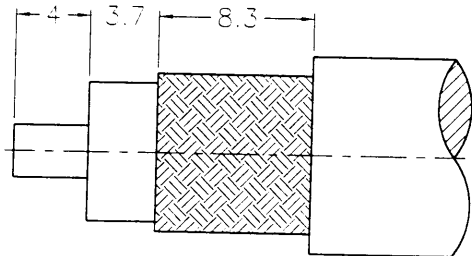
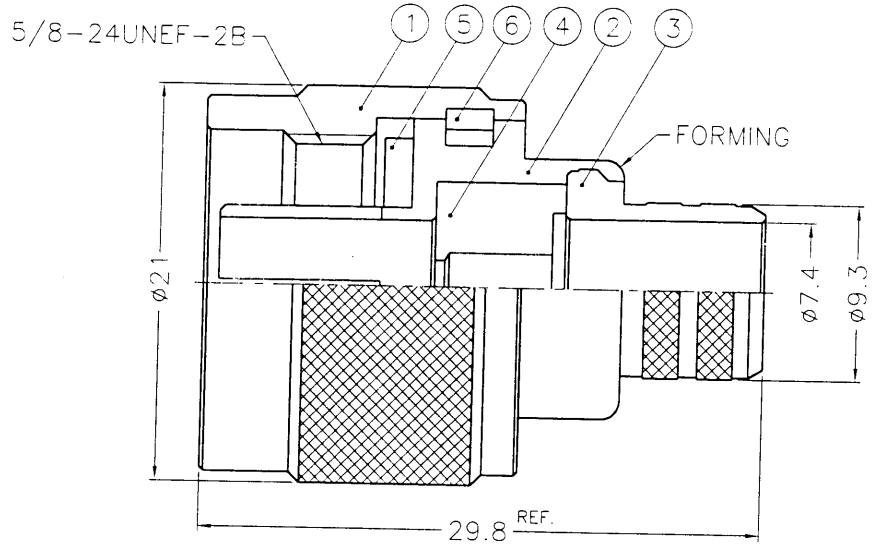
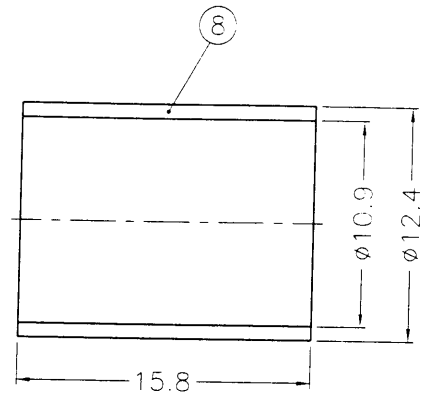
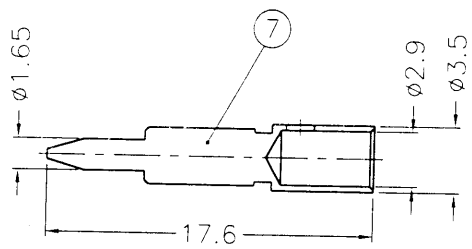


REVISIONS		
ISS	ZONE	DESCRIPTION\PER REQUEST\DATE

業務部



RECOMMENDED
CABLE STRIPPING DIM'S



NOTES: FINISH (PLATING THICKNESS IN MICRO-INCHES)
 1. BRASS PER QQ-B-626
 2. NICKEL PL. 100 MIN. THICK OVER COPPER STRIKE
 3. GOLD PL. 3 MIN. THICK OVER NICKEL PL. 100 MIN. THICK OVER COPPER STRIKE
 4. TEFLON MIL-P-19468
 5. JIS H 3250, C 2700

88.4.19
R & D

NO.	DESCRIPTION	MATERIAL	FINISH	Q'TY	DRAWING NO.
8	FERRULE			1	FR-124/109X158
7	CONTACT PIN			1	N5201-11-35/29-C
6	RETAINER RING	SUS 304	NATURAL	1	N5000-7-C
5	GASKET	SILICONE	RED	1	GS-156/8X15
4	INSULATOR		NATURAL	1	N5201-5T-50-9913
3	BARREL			1	N5000-3-93/74
2	BODY			1	N1121A2-2
1	SHELL			1	N5000-1-B

DIMENSIONS ARE IN MILLIMETERS
 UNLESS OTHERWISE SPECIFIED TOLERANCES
 0.5-6 = ±0.2
 6-30 = ±0.4
 30-120 = ±0.6
 120-315 = ±1
 315-1000 = ±1.6
 1000-2000 = ±2.4

PART NO.	
APPROVED <i>Tommy E</i>	DATE 04-15-99'
CHECKED <i>Coast W</i>	DATE 04-15-99'
DRAWN <i>Ada</i>	DATE 04-15-99'

 KAI JACK INDUSTRIAL CO., LTD. TAINAN TAIWAN R.O.C.	TITLE N CRIMP PLUG (FOR BELDEN 9913, 9914)
	DRAWING NO. KJ-N1121A2-NT3G-9913-50
FILE NO. F:\DWG\N\1121A2\9913-50\NT3G	

F
E
D
C
B
A

F
E
D
C
B
A