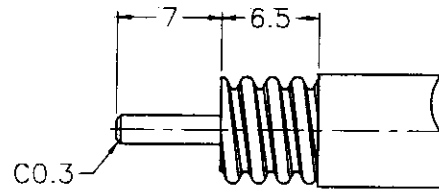
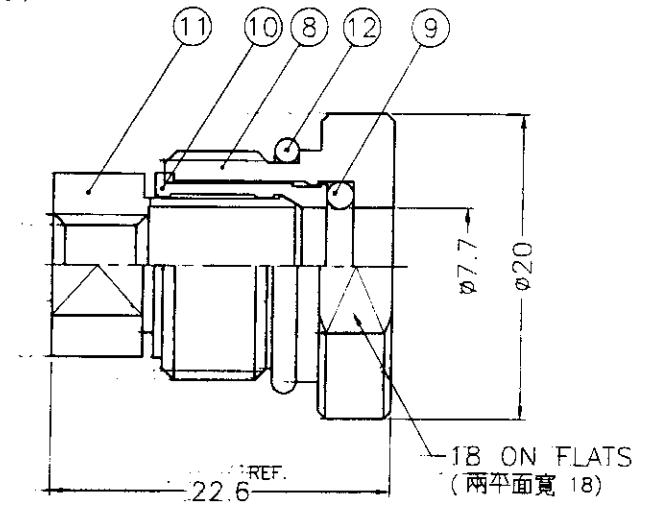
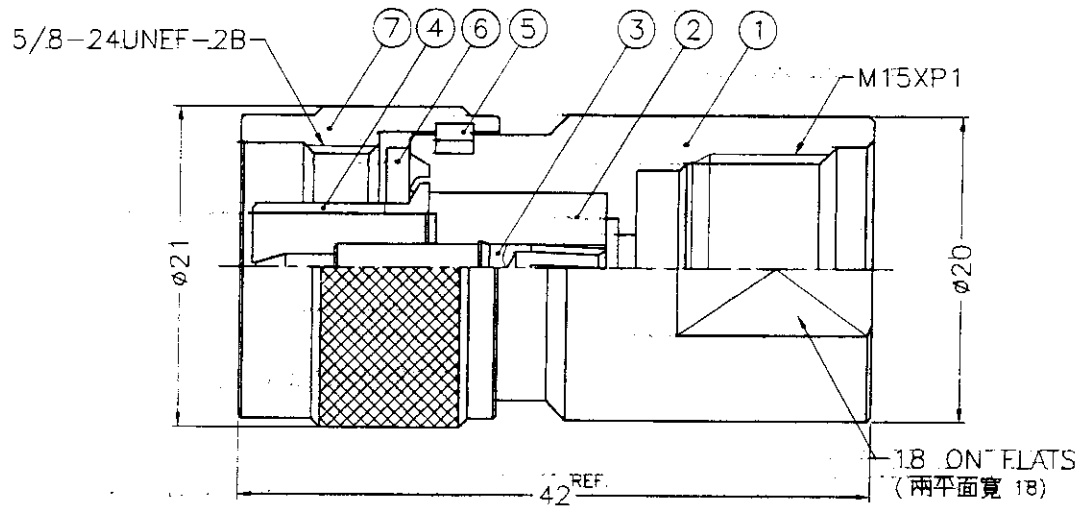


REVISIONS			
ISS	ZONE	DESCRIPTION\PER REQUEST\DATE	



RECOMMENDED
CABLE STRIPPING DIM'S
(建議剝線尺寸)



NOTES: FINISH (PLATING THICKNESS IN MICRO-INCHES)
 1. BRASS PER QQ-B-626
 2. SILVER PL. 120 MIN. THICK OVER COPPER STRIKE
 3. SILVER PL. 200 MIN. THICK OVER COPPER STRIKE
 4. TEFLON MIL-P-19468

12	GASKET	SILICONE	RED	1	
11	CLAMPER	NOTE 1	NOTE 2	1	N1141A1-11-1/4
10	RING	NOTE 1	NOTE 2	1	N1141A1-10-1/4
9	GASKET	SILICONE	RED	1	GS-111/75XD18-B
8	NUT	NOTE 1	NOTE 2	1	N1141A1-8-1/4
7	SHELL	NOTE 1	NOTE 2	1	N5000-1-B
6	GASKET	SILICONE	RED	1	GS-156/BX15
5	RETAINER RING	SUS 304	NATURAL	1	N5000-7-C
4	OUT CONTACT	NOTE 1	NOTE 2	1	N5000-5
3	CONTACT PIN	NOTE 1	NOTE 3	1	N1141A1-3-1/4
2	INSULATOR	NOTE 4	NATURAL	1	N1142A1-2T-1/2
1	BODY	NOTE 1	NOTE 2	1	N1141A1-1-1/4

DIMENSIONS ARE IN MILLIMETERS		
UNLESS OTHERWISE SPECIFIED TOLERANCES		
0.5-6	=	±0.2
6-30	=	±0.4
30-120	=	±0.6
120-315	=	±1
315-1000	=	±1.6
1000-2000	=	±2.4

PART NO.	
APPROVED	DATE 11-14-00'
CHECKED	DATE 11-14-00'
DRAWN	DATE 11-14-00'

Amphenol - Kai Jack	
TAINAN TAIWAN	
TITLE	N CLAMP PLUG (FOR ANDREW 1/4" FSJ1-50A HELIAX CABLE)
DRAWING NO.	KJ-N1141A1-120STS-1/4-50
FILE NO.	F:\DWG\N\1141A1\14-50\120STS

NO.	DESCRIPTION	MATERIAL	FINISH	Q'TY	DRAWING NO.

SCALE	2/1	ISSUE	1