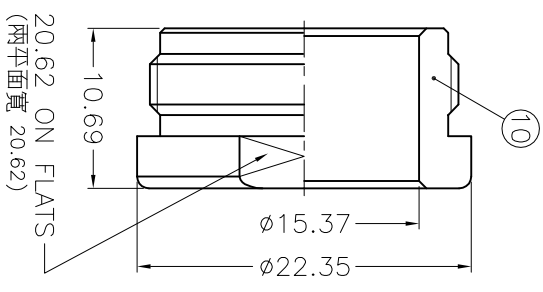
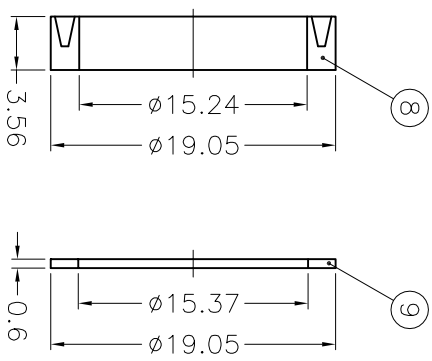
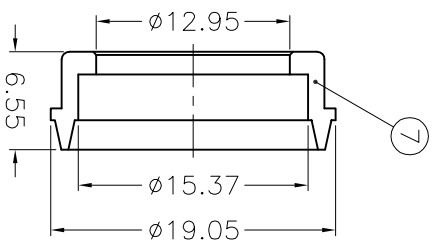
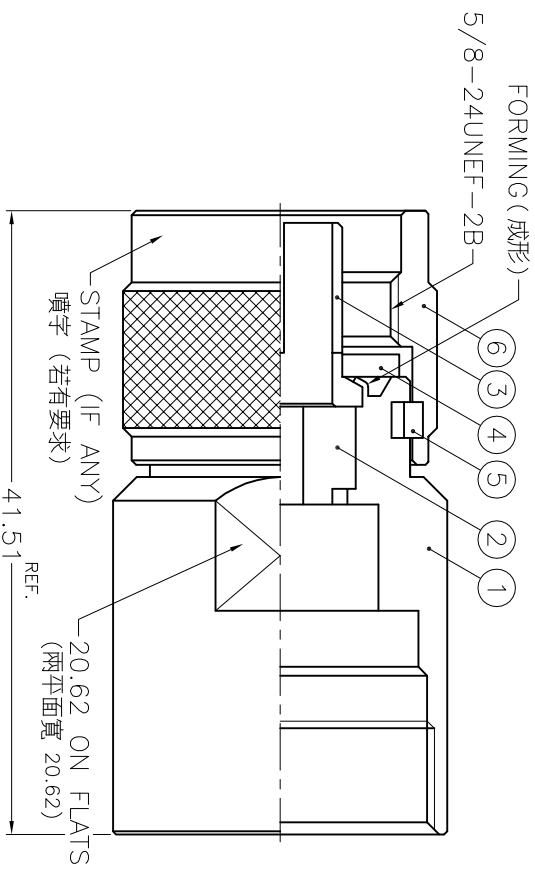
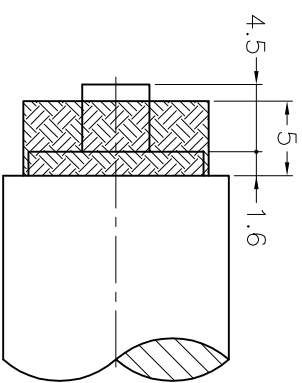
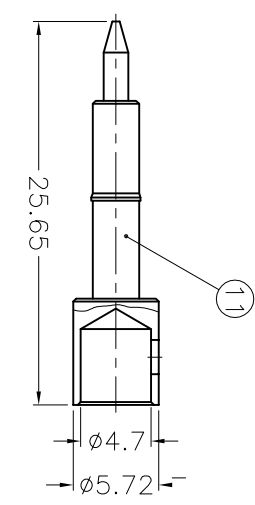


1		2		3		4		5		6		7		8	
REVISIONS															
ISS ZONE		DESCRIPTION \ PER REQUEST \ DATE													
C A-7		N1141A5-ST3G-50 WAS RFN-1002-2L2-ST3G \N/A\09-10-02'													



NOTES: FINISH (PLATING THICKNESS IN MICRO-INCHES)
 1. BRASS PER 00-B-626
 2. BRASS PER 00-B-613
 3. SILVER PL. 80 MIN. THICK OVER COPPER STRIKE
 4. GOLD PL. 3 MIN. THICK OVER NICKEL PL. 100 MIN. THICK OVER COPPER STRIKE
 5. TEFLON MIL-P-19468



RECOMMENDED
CABLE STRIPPING DIM'S
(建議剝線尺寸)

1. CONTACT PIN TO SOLDER

11	CONTACT PIN	NOTE 1	NOTE 4	1	RFN-1002-2L2-11										
10	NUT	NOTE 1	NOTE 3	1	RFN-1002-2L2-10										
9	WASHER	NOTE 2	NOTE 3	1	WS-1905/1537 X06										
8	GASKET	SILICONE	RED	1	RFN-1002-2L2-8										
7	BRAID CLAMP	NOTE 1	NOTE 3	1	RFN-1002-2L2-7										
6	SHELL	NOTE 1	NOTE 3	1	NS000-1-B										
5	RETAINER RING	SUS 304	NATURAL	1	NS000-7-C										
4	GASKET	SILICONE	RED	1	GS-156/8X15										
3	CONTACT BODY	NOTE 1	NOTE 3	1	RFN-1005-2N-4										
2	INSULATOR	NOTE 5	NATURAL	1	RFN-1002-2L2-6										
1	BODY	NOTE 1	NOTE 3	1	RFN-1002-2L2-2-B										

DIMENSIONS ARE IN MILLIMETERS	
UNLESS OTHERWISE SPECIFIED TOLERANCES	
0.5-6 = ±0.2	
6-30 = ±0.4	
30-120 = ±0.6	
120-315 = ±1	
315-1000 = ±1.6	
1000-2000 = ±2.4	

PART NO.	DATE
APPROVED	09-10-02'
CHECKED	09-10-02'
DRAWN	09-10-02'

TITLE	
N CLAMP PLUG	
DRAWING NO.	
KU-N1141A5-ST3G-50	
ITEM NO.	
031141AAKA1SA5F	

Amphenol - Kai Jack

TAINAN TAIWAN

A

B

C

D

E

F

A

B

C

D

E

F