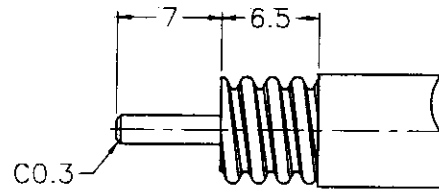
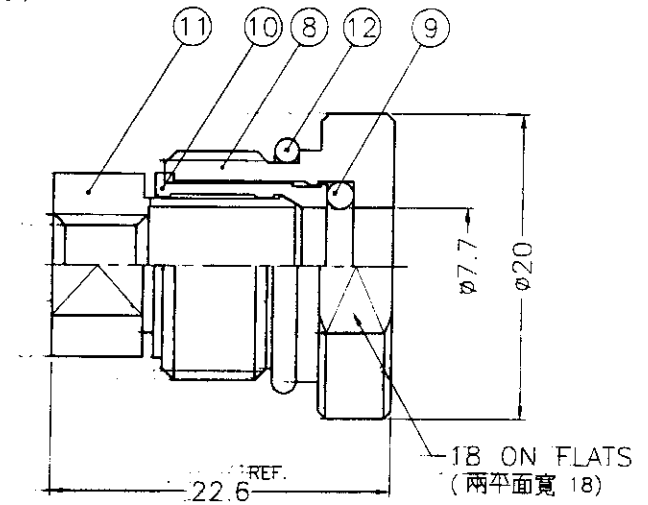
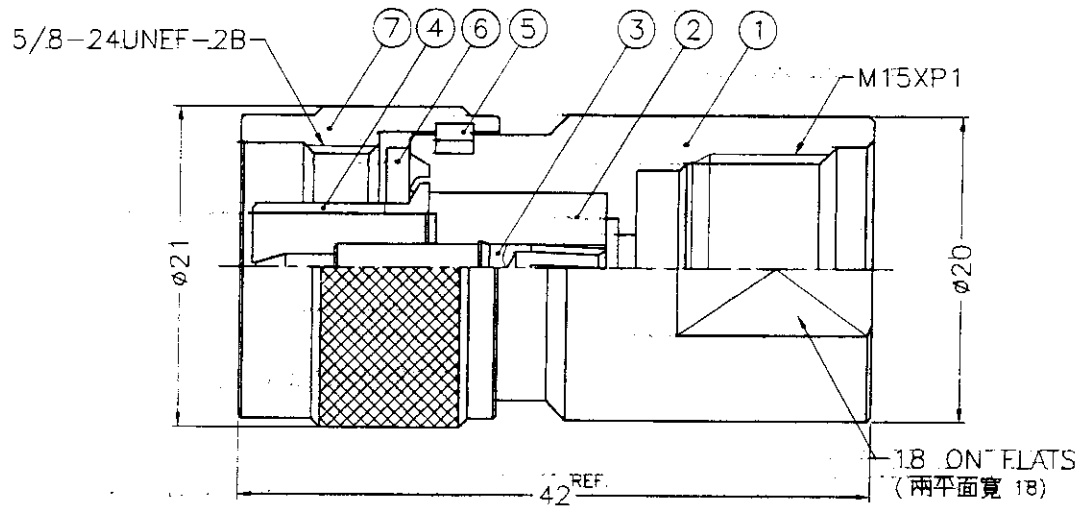


REVISIONS			
ISS	ZONE	DESCRIPTION\PER REQUEST\DATE	



RECOMMENDED
CABLE STRIPPING DIM'S
(建議剝線尺寸)



NOTES: FINISH (PLATING THICKNESS IN MICRO-INCHES)
 1. BRASS PER QQ-B-626
 2. SILVER PL. 120 MIN. THICK OVER COPPER STRIKE
 3. SILVER PL. 200 MIN. THICK OVER COPPER STRIKE
 4. TEFLON MIL-P-19468

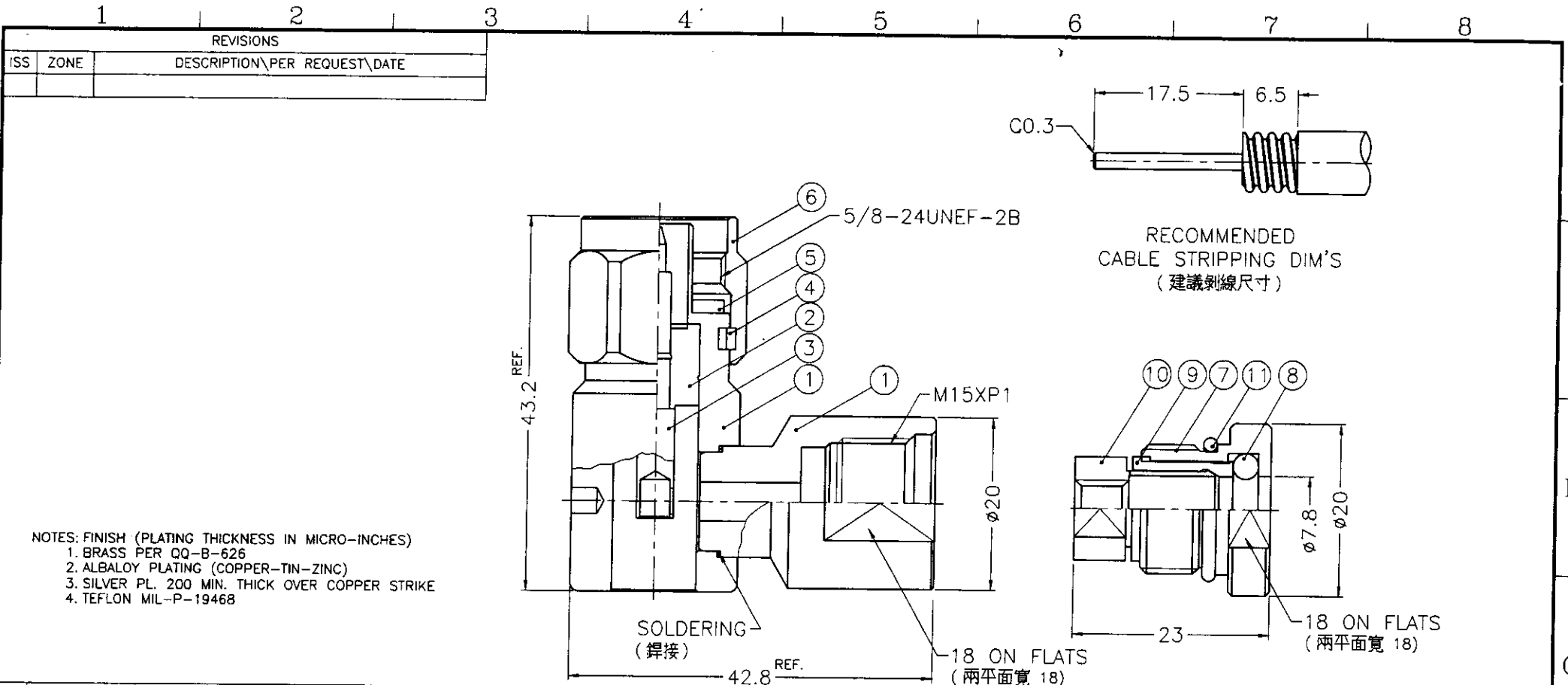
12	GASKET	SILICONE	RED	1	
11	CLAMPER	NOTE 1	NOTE 2	1	N1141A1-11-1/4
10	RING	NOTE 1	NOTE 2	1	N1141A1-10-1/4
9	GASKET	SILICONE	RED	1	GS-111/75XD18-B
8	NUT	NOTE 1	NOTE 2	1	N1141A1-8-1/4
7	SHELL	NOTE 1	NOTE 2	1	N5000-1-B
6	GASKET	SILICONE	RED	1	GS-156/BX15
5	RETAINER RING	SUS 304	NATURAL	1	N5000-7-C
4	OUT CONTACT	NOTE 1	NOTE 2	1	N5000-5
3	CONTACT PIN	NOTE 1	NOTE 3	1	N1141A1-3-1/4
2	INSULATOR	NOTE 4	NATURAL	1	N1142A1-2T-1/2
1	BODY	NOTE 1	NOTE 2	1	N1141A1-1-1/4

DIMENSIONS ARE IN MILLIMETERS			PART NO.	
UNLESS OTHERWISE SPECIFIED TOLERANCES			APPROVED	DATE
0.5-6	= ±0.2		<i>Scott</i>	11-14-00'
6-30	= ±0.4		CHECKED	DATE
30-120	= ±0.6		<i>Scott</i>	11-14-00'
120-315	= ±1		DRAWN	DATE
315-1000	= ±1.6		SCOTT	11-14-00'
1000-2000	= ±2.4			

Amphenol - Kai Jack	
TAINAN TAIWAN	
TITLE	N CLAMP PLUG (FOR ANDREW 1/4" FSJ1-50A HELIAX CABLE)
DRAWING NO.	KJ-N1141A1-120STS-1/4-50
FILE NO.	F:\DWG\N\1141A1\14-50\120STS

NO.	DESCRIPTION	MATERIAL	FINISH	Q'TY	DRAWING NO.

SCALE	2/1	ISSUE	1



NOTES: FINISH (PLATING THICKNESS IN MICRO-INCHES)
 1. BRASS PER QQ-B-626
 2. ALBALOY PLATING (COPPER-TIN-ZINC)
 3. SILVER PL. 200 MIN. THICK OVER COPPER STRIKE
 4. TEFLON MIL-P-19468

RECOMMENDED
 CABLE STRIPPING DIM'S
 (建議剝線尺寸)

參考
 88.10.28
 開發部

NO.	DESCRIPTION	MATERIAL	FINISH	Q'TY	DRAWING NO.
13	GASKET	SILICONE	BLACK	1	GS-101/65XD18
12	COVER	NOTE 1	NOTE 2	1	7161142A1-13
11	GASKET	SILICONE	RED	1	GS-167/123XD16
10	CLAMPER	NOTE 1	NOTE 2	1	7166541A1-8-1/4
9	RING	NOTE 1	NOTE 2	1	7166541A1-7-1/4
8	GASKET	SILICONE	RED	1	GS-132/72XD3
7	NUT	NOTE 1	NOTE 2	1	7166541A1-5-1/4
6	SHELL	NOTE 1	NOTE 2	1	NS000-1H
5	GASKET	SILICONE	RED	1	GS-156/8X15
4	RETAINER RING	SUS 304	NATURAL	1	NS000-7-C
3	CONTACT PIN	NOTE 1	NOTE 3	1	N1142A1-3-3/8
2	INSULATOR	NOTE 4	NATURAL	1	N1142A1-2T-3/8
1	BODY WITH BARREL	NOTE 1	NOTE 2	1	N1142A1-1S-1/4

DIMENSIONS ARE IN MILLIMETERS				PART NO.	
UNLESS OTHERWISE SPECIFIED TOLERANCES				APPROVED	
0.5-6	= ±0.2	DATE		10-27-99'	
6-30	= ±0.4	DATE		10-27-99'	
30-120	= ±0.6	DATE		10-27-99'	
120-315	= ±1	DATE		10-27-99'	
315-1000	= ±1.6	DATE		10-27-99'	
1000-2000	= ±2.4	DATE		10-27-99'	
SCALE	1.5/1	ISSUE	1	DRAWN KOLI	

Amphenol - Kai Jack	
TAINAN TAIWAN	
TITLE	N R/A CLAMP PLUG (FOR ANDREW 1/4" FSJ1-50A CORRUGATED CABLE)
DRAWING NO.	KJ-N1142A1-N/NTS-1/4-50
FILE NO.	F:\DWG\N\1142A1\14\NNTS