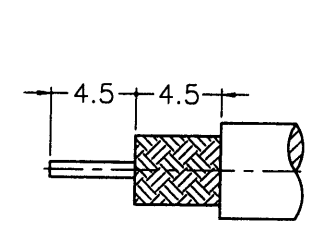
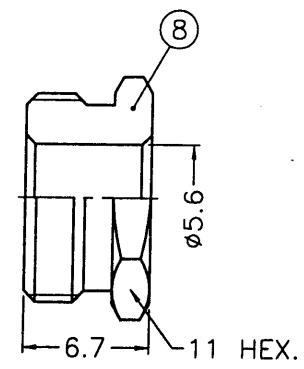
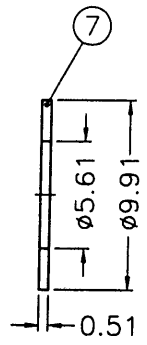
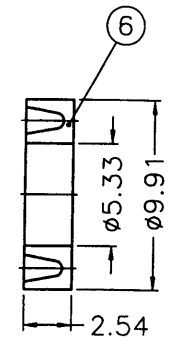
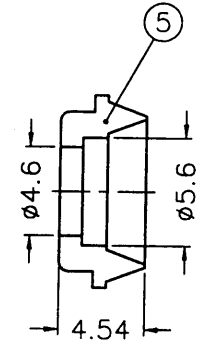
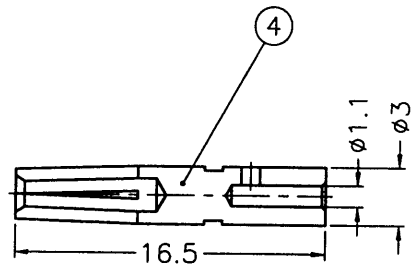
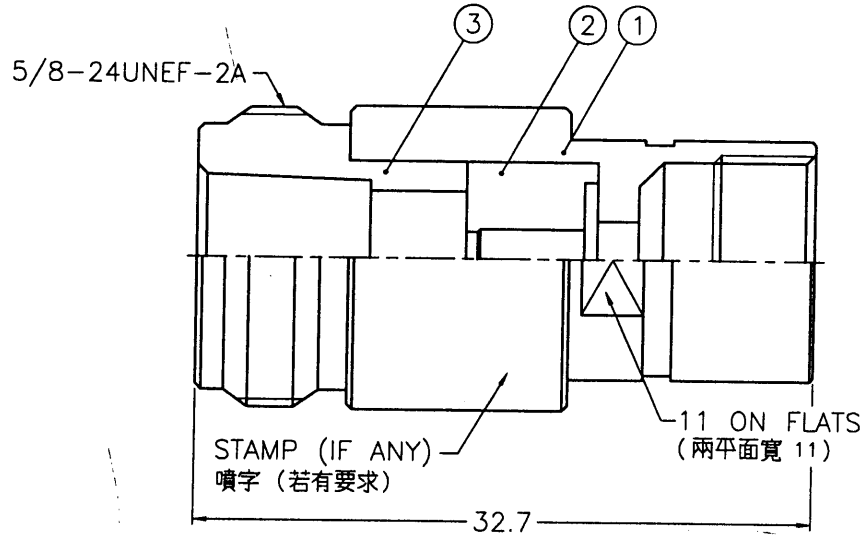


1 2 3 4 5 6 7 8

REVISIONS		
ISS	ZONE	DESCRIPTION\PER REQUEST\DATE
B	A-1	NO.4 ,NO.5 ,NO.6 ,NO.7 AND NO.8 WERE CHANGED \RD-DM92012402W\01-24-03'
B1	A-1	NO.5 WAS CHANGED\N/A\03-05-03'

SALES

F
E
D
C
B
A



ISSUED
2003. 3. 07
R&D

RECOMMENDED
CABLE STRIPPING DIM'S
(建議剝線尺寸)

1. CRIMPED CONTACT PIN
HEX. CRIMP SIZE .100"

- NOTES: FINISH (PLATING THICKNESS IN MICRO-INCHES)
- BRASS PER QQ-B-626
 - BRASS PER QQ-B-613
 - PHOSPHOR BRONZE PER QQ-B-750
 - NICKEL PL. 100 MIN. THICK OVER COPPER STRIKE
 - GOLD PL. 3 MIN. THICK OVER NICKEL PL. 100 MIN. THICK OVER COPPER STRIKE
 - TEFLON MIL-P-19468

NO.	DESCRIPTION	MATERIAL	FINISH	Q'TY	DRAWING NO.	SCALE	2.5/1	ISSUE	B1	FILE NO.
8	HEX NUT			1	B5200-14-11/56					F:\DWG\N\6141A1\58U-50\NT3G
7	WASHER			1	82-946-28					
6	GASKET	SILICONE	RED	1	82-1536-5					
5	BRAID CLAMP			1	BC00AAR01A					
4	CONTACT PIN			1	N7000-4-3/11					
3	BODY			1	N7900-4					
2	INSULATOR		NATURAL	1	N5000-4T-50-A					
1	HOUSING			1	N7200-1					

DIMENSIONS ARE IN MILLIMETERS		PART NO.	
UNLESS OTHERWISE SPECIFIED TOLERANCES		APPROVED	DATE
0.5-6 = ±0.2		<i>gawckey</i>	03-05-03'
6-30 = ±0.4		CHECKED	DATE
30-120 = ±0.6		<i>Ken</i>	03-05-03'
120-315 = ±1		DRAWN	DATE
315-1000 = ±1.6		<i>Ken</i>	03-05-03'
1000-2000 = ±2.4			

Amphenol	
Danbury,CT,USA-Tainan,Taiwan-Shenzhen,China	
TITLE	N CLAMP JACK (FOR RG-58C/U,58/U,142A/U,223/U)
DRAWING NO.	N6141A1-NT3G-58U-50
ITEM NO.	036141AAC58NA5F

F
E
D
C
B
A

1 2 3 4 5 6 7 8

7RD DR 1394 8