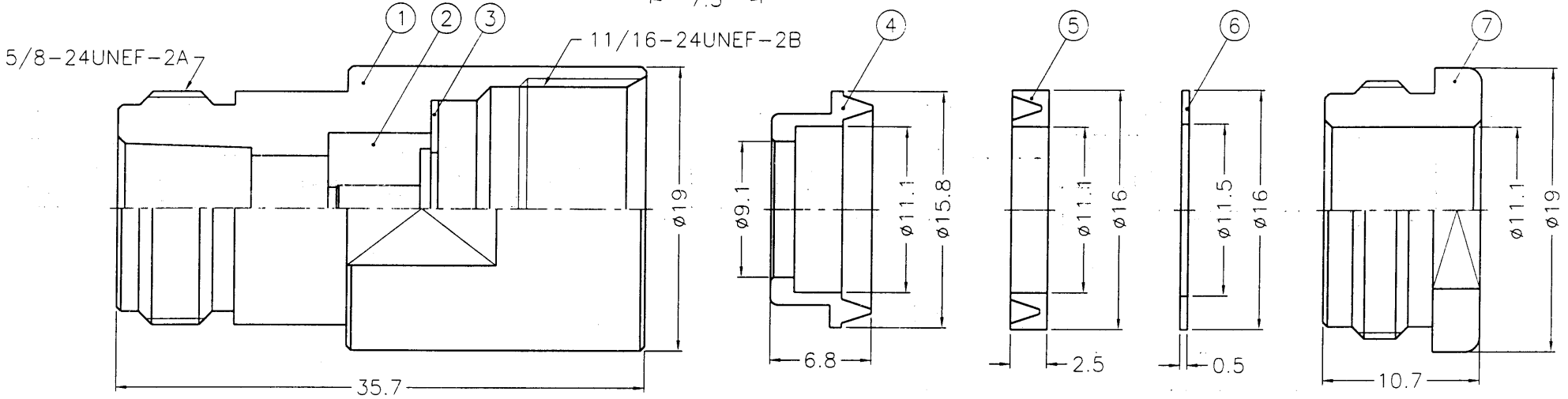
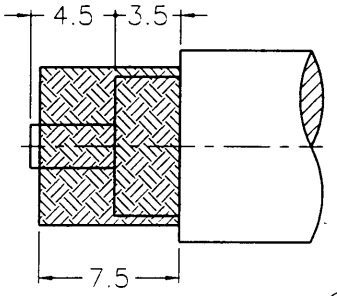


1 2 3 4 5 6 7 8

REVISIONS		
ISS	ZONE	DESCRIPTION\PER REQUEST\DATE

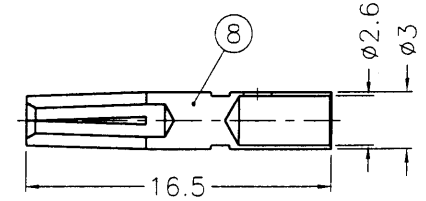
業務部

RECOMMENDED
CABLE STRIPPING DIM'S



- NOTES: FINISH (PLATING THICKNESS IN MICRO-INCHES)
1. BRASS PER QQ-B-626
 2. BRASS PER QQ-B-613
 3. NICKEL PL. 100 MIN. THICK OVER COPPER STRIKE
 4. PHOSPHOR BRONZE PER QQ-B-750
 5. GOLD PL. 3 MIN. THICK OVER NICKEL PL. 100 MIN. THICK OVER COPPER STRIKE
 6. TEFLON MIL-P-19468

出圖
88.3.24
D



NO.	DESCRIPTION	MATERIAL	FINISH	Q'TY	DRAWING NO.
8	CONTACT PIN			1	N7000-4-3/26
7	NUT			1	B5201-12-19/111
6	WASHER			1	WS-16/115X05
5	GASKET	SILICONE	RED	1	B5201-10
4	BRAID CLAMP			1	B5201-9-111/91
3	WASHER			1	WS-145/75X05
2	INSULATOR		NATURAL	1	N5000-4T-50-A
1	BODY			1	N7201-1-19/101

DIMENSIONS ARE IN MILLIMETERS
UNLESS OTHERWISE SPECIFIED TOLERANCES

0.5-6 = ±0.2
6-30 = ±0.4
30-120 = ±0.6
120-315 = ±1
315-1000 = ±1.6
1000-2000 = ±2.4

PART NO.	
APPROVED	DATE 03-23-99'
CHECKED	DATE 03-23-99'
DRAWN	DATE 03-23-99'

	KAI JACK INDUSTRIAL CO., LTD. TAINAN TAIWAN R.O.C.
TITLE	N CLAMP JACK (FOR RG-213/U,214/U,8/U)
DRAWING NO.	*KJ-N6141A2-NT3G-214U-50
FILE NO.	F:\DWG\N\6141A2\214U-50\NT3G

F
E
D
C
B
A

F
E
D
C
E
A

1 2 3 4 5 6 7 8 17>116 80-2598