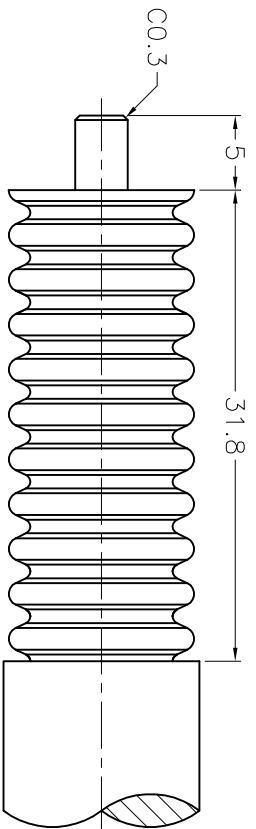
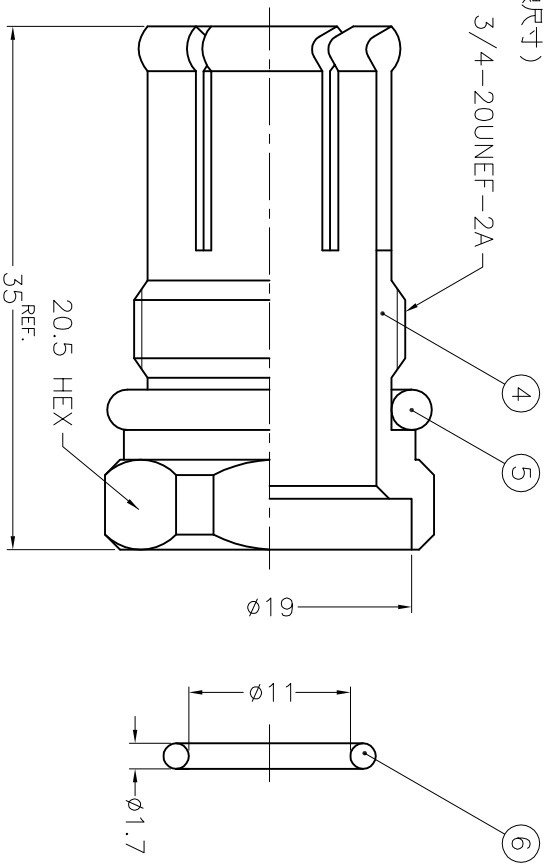
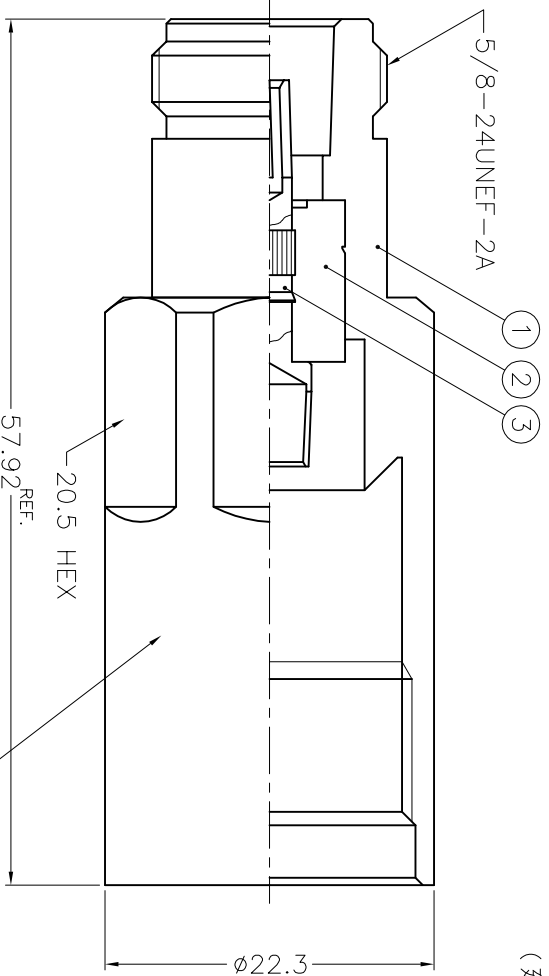


ISS	ZONE	DESCRIPTION \ PER REQUEST \ DATE
A1	A-7	N6141G1-ATS-1/2A-50 WAS N6141G1-N/NTS-1/2A-50 \ N/A \ 10-30-03'

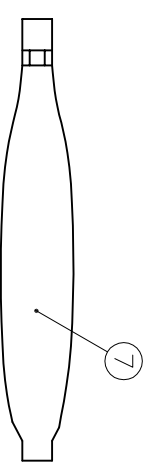


RECOMMENDED
CABLE STRIPPING DIM'S
(建議剝線尺寸)



NOTES: FINISH (PLATING THICKNESS IN MICRO-INCHES)
 1. BRASS PER QQ-B-626
 2. ALBALOY PLATING (COPPER-TIN-ZINC)
 3. SILVER PL. 200 MIN. THICK OVER COPPER STRIKE
 4. TEFLON MIL.-P-19468
 5. SILICONE GREASE PER POLYTEX 55-M OR EQUIVALENT
 6. PHOSPHOR BRONZE PER QQ-B-750

STAMP (IF ANY)
噴字 (若有要求)



NO.	DESCRIPTION	MATERIAL	FINISH	Q'TY	DRAWING NO.
1	BODY	NOTE 1	NOTE 2	1	N6141G1-1-1/2A
2	INSULATOR	NOTE 4	NATURAL	1	N87070302-3
3	CONTACT PIN	NOTE 6	NOTE 3	1	N6141G1-3-1/2A
4	NUT	NOTE 1	NOTE 2	1	N87070302-7
5	GASKET	SILICONE	RED	1	GS-21/158XD26
6	GASKET	SILICONE	RED	1	GS-144/11XD17
7	LUBRICATOR	NOTE 5	NOTE 5	1	N87070302-11

DIMENSIONS ARE IN MILLIMETERS
UNLESS OTHERWISE SPECIFIED
TOLERANCES
0.5-6 = ±0.2
6-30 = ±0.4
30-120 = ±0.6
120-315 = ±1
315-1000 = ±1.6
1000-2000 = ±2.4

PART NO.	DATE
APPROVED	10-31-03'
CHECKED	10-31-03'
DRAWN	10-31-03'

Drawing No. N6141G1-ATS-1/2A-50
 Danbury, CT, USA - Taiwan, Taiwan - Shenzhen, China
 TITLE N CLAMP JACK
 (FOR ANDREW 1/2" LDF4-50A HELIAX CABLE)

SCALE	2/1	ISSUE	A1	FILE NO.	F:\DWG\N6141G1\12A-50\ATS-A1
ITEM NO.	036141AAHA1AB5F				

Amphenol