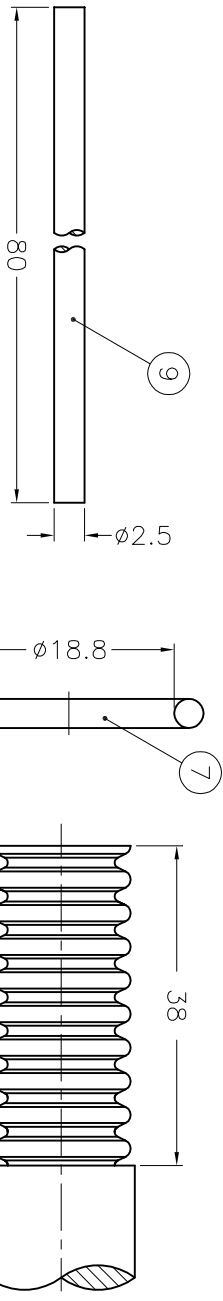
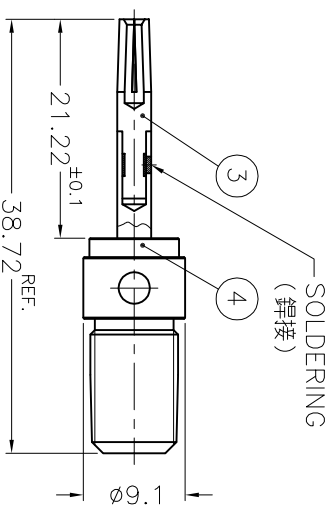
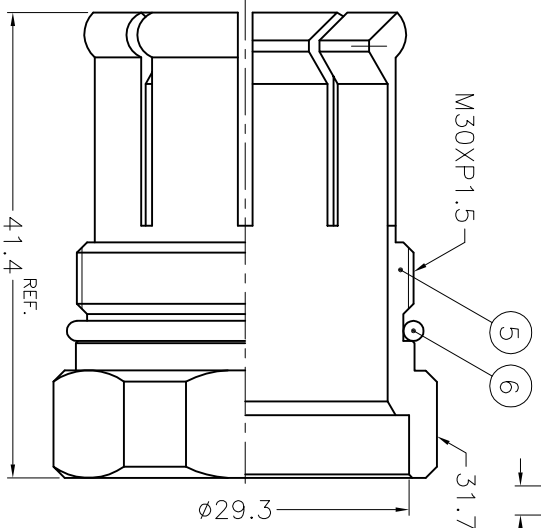
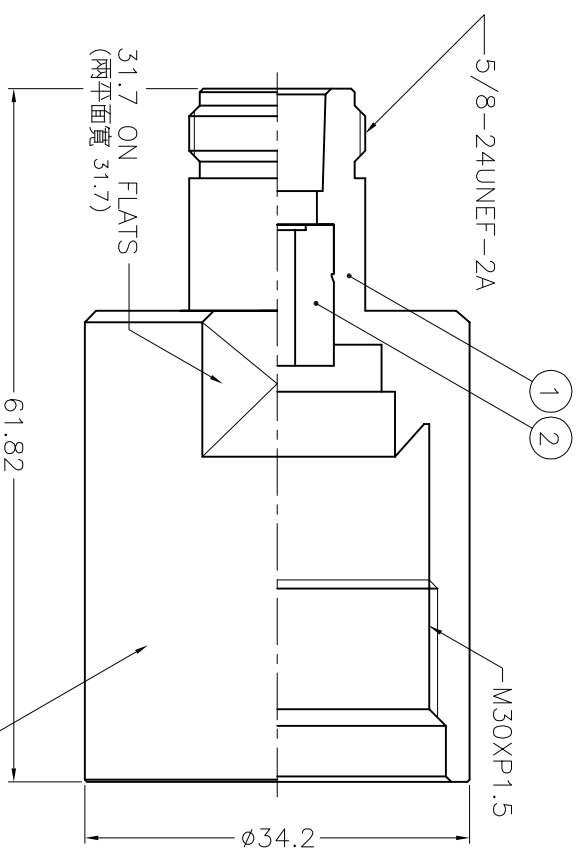


ISS ZONE		DESCRIPTION \ PER REQUEST \ DATE
B	A-1	NO.3 WAS CHANGED \ RD-DM90032102C \ 03-21-01'

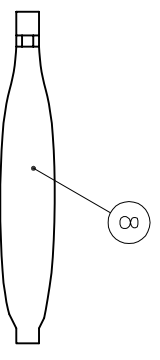
REVISIONS



RECOMMENDED
CABLE STRIPPING DIM'S
(建議剝線尺寸)



SOLDERING
(銲接)



STAMP (IF ANY)
噴字 (若有要求)

NOTES: FINISH (PLATING THICKNESS IN MICRO-INCHES)
 1. BRASS PER QQ-B-626
 2. ALBALOY PLATING (COPPER-TIN-ZINC)
 3. SILVER PL. 200 MIN. THICK OVER COPPER STRIKE
 4. TEFLON MIL-P-19468
 5. NICKEL PL. 100 MIN. THICK OVER COPPER STRIKE
 6. SILICONE GREASE PER POLYTEX 55-M OR EQUIVALENT
 7. PHOSPHOR BRONZE PER QQ-B-750

NO.	DESCRIPTION	MATERIAL	FINISH	Q'TY	DRAWING NO.
9	TOOL BAR	S45C	NOTE 5	1	N87070303-11
8	LUBRICATOR	NOTE 6	NOTE 6	1	N87070302-11
7	GASKET	SILICONE	RED	1	GS-24/188XD26
6	GASKET	SILICONE	RED	1	GS-304/27XD17
5	NUT	NOTE 1	NOTE 2	1	N87070303-7
4	CONTACT PIN	NOTE 1	NOTE 3	1	N6141G1-34S-2
3	CONTACT PIN	NOTE 7	NOTE 3	1	N6141G1-34S-1-B
2	INSULATOR	NOTE 4	NATURAL	1	N87070303-3
1	BODY	NOTE 1	NOTE 2	1	N6141G1-1-7/8A

DIMENSIONS ARE IN MILLIMETERS
UNLESS OTHERWISE SPECIFIED
TOLERANCES

0.5-6 = ±0.2
 6-30 = ±0.4
 30-120 = ±0.6
 120-315 = ±1
 315-1000 = ±1.6
 1000-2000 = ±2.4

PART NO.
APPROVED DATE
CHECKED DATE
DRAWN DATE

DATE: 03-21-01'
 DATE: 03-21-01'
 DATE: 03-21-01'

TITILE
N CLAMP JACK
(FOR ANDREW 7/8" LDF5-50A HELIAX CABLE)

DRAWING NO.
KU-N6141G1-N/NTS-7/8A-50
FILE NO. F:\DWG\N6141G1\78A-50.NNDS

Amphenol - Kai Jack
TAINAN TAIWAN

A

B

C

D

E

F

A

B

C

D

E

F