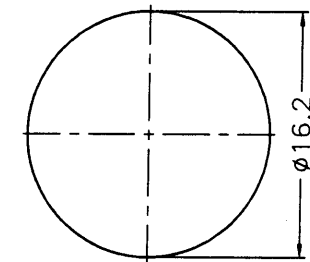
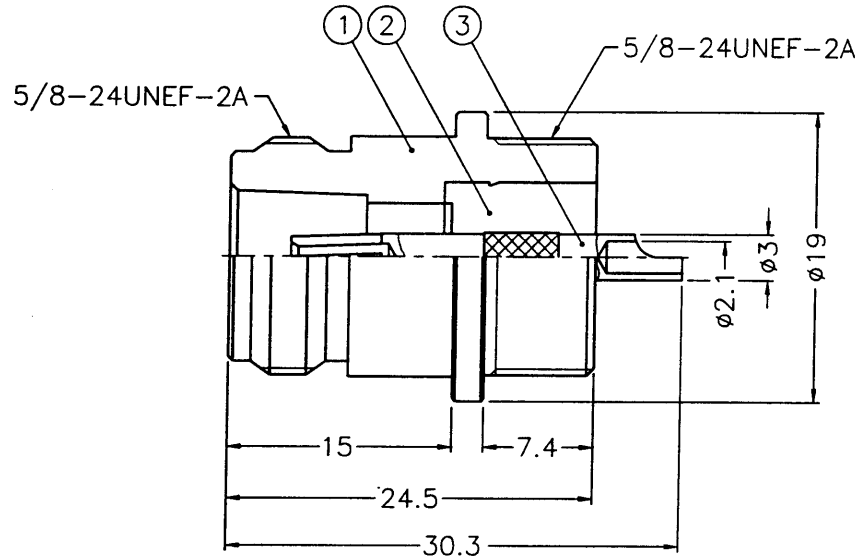


1 2 3 4 5 6 7 8

業務部

REVISIONS		
ISS	ZONE	DESCRIPTION\PER REQUEST\DATE



RECOMMENDED MOUNTING HOLE
(建議架設孔)

出圖
89.7.20
設計部

- NOTES: FINISH (PLATING THICKNESS IN MICRO-INCHES)
- BRASS PER QQ-B-626
 - NICKEL PL. 100 MIN. THICK OVER COPPER STRIKE
 - PHOSPHOR BRONZE PER QQ-B-750
 - GOLD PL. 3 MIN. THICK OVER NICKEL PL. 100 MIN. THICK OVER COPPER STRIKE
 - TEFLON MIL-P-19468

DIMENSIONS ARE IN MILLIMETERS				PART NO.	
UNLESS OTHERWISE SPECIFIED TOLERANCES				APPROVED	DATE
0.5-6 = ±0.2				A. C.	07-19-00'
6-30 = ±0.4					CHECKED
30-120 = ±0.6				Andy. C	07-19-00'
120-315 = ±1					DRAWN
315-1000 = ±1.6				Joyce. Y	07-19-00'
1000-2000 = ±2.4					SCALE
				ISSUE	A

Amphenol - Kai Jack	
TAINAN TAIWAN	
TITLE	N BULKHEAD RECEPTACLE JACK
DRAWING NO.	KJ-N6351B1-002-NT3G-50
FILE NO.	F:\DWG\N\6351B1\002\50\NT3G

NO.	DESCRIPTION	MATERIAL	FINISH	Q'TY	DRAWING NO.
3	CONTACT PIN	NOTE 3	NOTE 4	1	N6351B1-002-3
2	INSULATOR	NOTE 5	NATURAL	1	N6351B1-002-2T-50
1	BODY	NOTE 1	NOTE 2	1	N6351B1-002-1-B

1 2 3 4 5 6 7 8

8RDR238