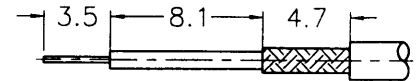
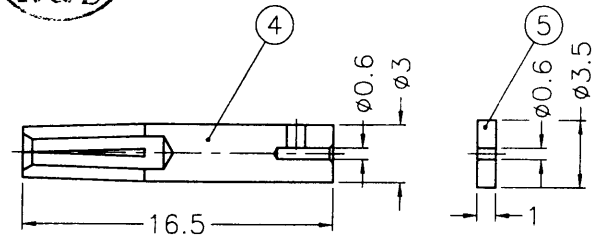


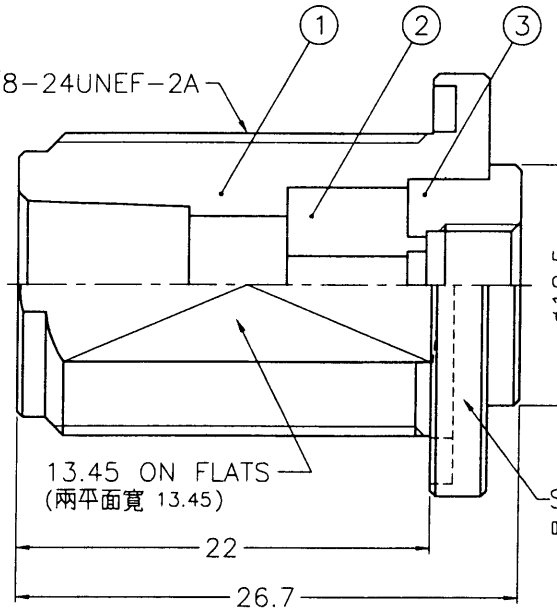
1. CRIMPED FERRULE  
HEX. CRIMP SIZE .128"
2. CONTACT PIN TO SOLDER



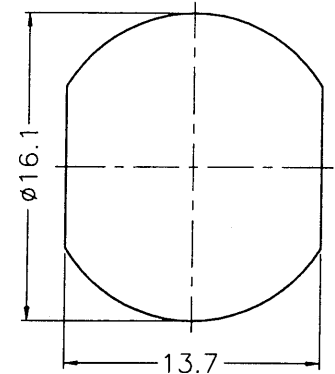
RECOMMENDED  
CABLE STRIPPING DIM'S  
(建議剝線尺寸)



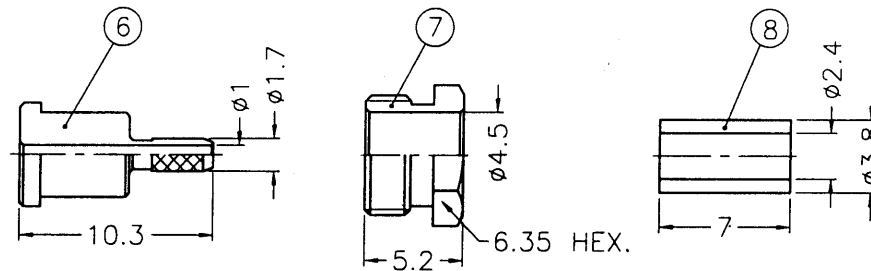
5/8-24UNEF-2A



STAMP (IF ANY)  
噴字 (若有要求)



RECOMMENDED  
MOUNTING HOLE  
(建議架設孔)



NOTES: FINISH (PLATING THICKNESS IN MICRO-INCHES)

1. BRASS PER QQ-B-626
2. BRASS PER QQ-B-613
3. NICKEL PL. 100 MIN. THICK OVER COPPER STRIKE
4. PHOSPHOR BRONZE PER QQ-B-750
5. GOLD PL. 3 MIN. THICK OVER NICKEL PL. 100 MIN. THICK OVER COPPER STRIKE
6. TEFLON MIL-P-19468

11	HEX NUT	NOTE 1	NOTE 3	1	HN19-5/8-24X31
10	LOCK WASHER	NOTE 2	NOTE 3	1	LW-19/16X06
9	GASKET	SILICONE	RED	1	GS-20/16X15
8	FERRULE	COPPER	NOTE 3	1	FR-38/24X7C
7	HEX NUT	NOTE 1	NOTE 3	1	SMA5003-9-635/45

DIMENSIONS ARE IN MILLIMETERS				PART NO.
UNLESS OTHERWISE SPECIFIED TOLERANCES				APPROVED
0.5-6	= ±0.2	6-30	= ±0.4	DATE 05-16-03'
30-120	= ±0.6	120-315	= ±1	DATE 05-16-03'
315-1000	= ±1.6	1000-2000	= ±2.4	DATE 05-16-03'
SCALE 2.5/1	ISSUE 1	FILE NO.	F:\DWG\N\6411G1\196AU-50\NT3G	

<b>Amphenol</b>	
Danbury, CT, USA - Tainan, Taiwan - Shenzhen, China	
TITLE N BULKHEAD CRIMP JACK (FOR RG-174/U, 188A/U, 196A/U)	
DRAWING NO. N6411G1-NT3G-196AU-50	
ITEM NO.	

6	BARREL	NOTE 1	NOTE 3	1	SMA5003-8-17/1
5	INSULATOR	NOTE 6	NATURAL	1	N6481A2-5T-35/06
4	CONTACT PIN	NOTE 4	NOTE 5	1	N6481A2-4-3/06
3	INNER BODY	NOTE 1	NOTE 3	1	BD00AAQ---
2	INSULATOR	NOTE 6	NATURAL	1	N6481A2-2T-50-C
1	OUTER BODY	NOTE 1	NOTE 3	1	N6481A2-1-B
NO.	DESCRIPTION	MATERIAL	FINISH	Q'TY	DRAWING NO.