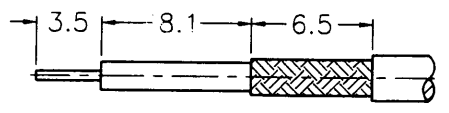


1 2 3 4 5 6 7 8

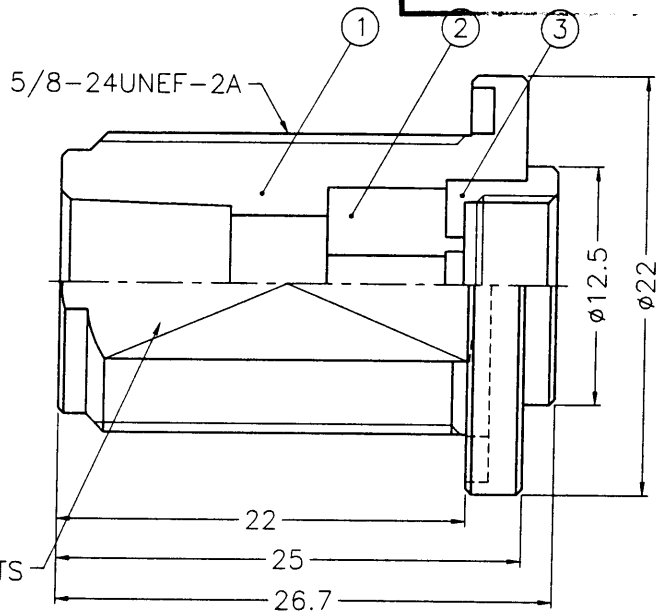
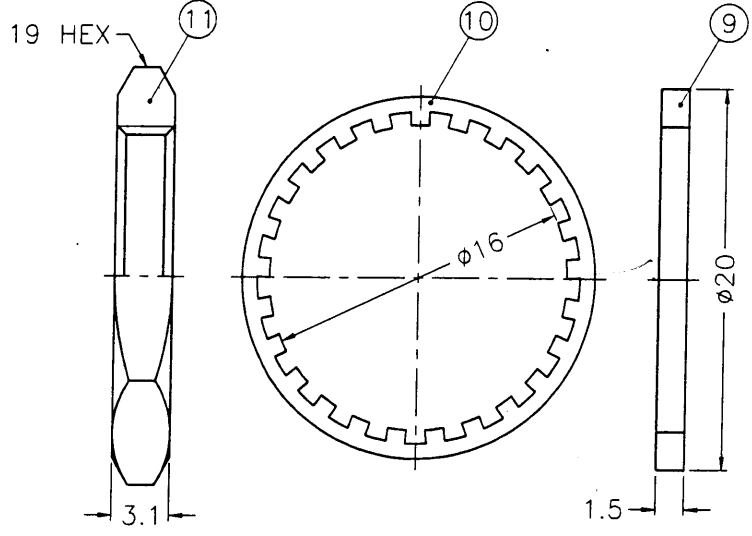
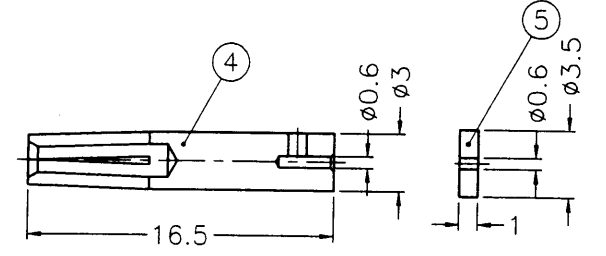
REVISIONS			
ISS	ZONE	DESCRIPTION\PER REQUEST\DATE	
B	A-1	NO.1 AND NO.2 WERE CHANGED\RD-DM89092601Y\ 09-26-00'	

1. CRIMPED FERRULE
HEX CRIMP SIZE .128"
2. CRIMPED CONTACT PIN
HEX CRIMP SIZE .100"

業務部

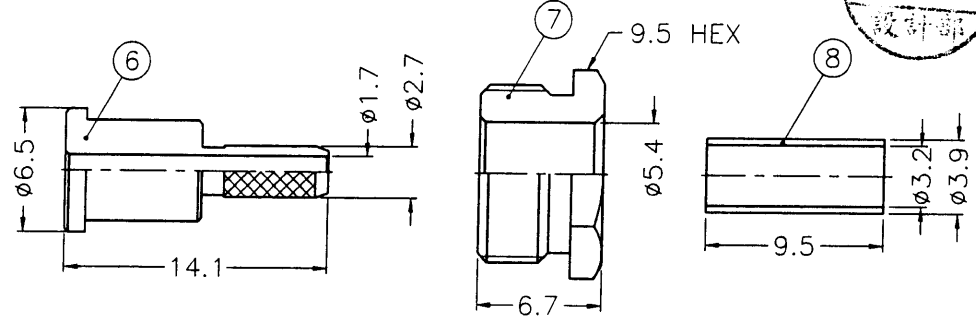
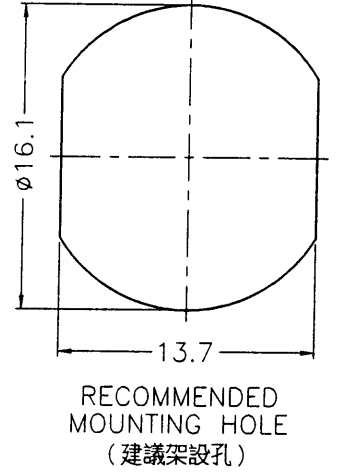


RECOMMENDED
CABLE STRIPPING DIM'S
(建議剝線尺寸)



- NOTES: FINISH (PLATING THICKNESS IN MICRO-INCHES)
1. BRASS PER QQ-B-626
 2. BRASS PER QQ-B-613
 3. NICKEL PL. 100 MIN. THICK OVER COPPER STRIKE
 4. PHOSPHOR BRONZE PER QQ-B-750
 5. GOLD PL. 3 MIN. THICK OVER NICKEL PL. 100 MIN. THICK OVER COPPER STRIKE
 6. TEFLON MIL-P-19468
 7. JIS H3250, C 2700

2000.9.28
設計部



11	HEX NUT	NOTE 1	NOTE 3	1	HN19-5/8-24X31
10	LOCK WASHER	NOTE 2	NOTE 3	1	LW-19/16X06
9	GASKET	SILICONE	RED	1	GS-20/16X15
8	FERRULE	NOTE 7	NOTE 3	1	FR-39/32X95
7	HEX NUT	NOTE 1	NOTE 3	1	B5205-12-95/54
6	BARREL	NOTE 1	NOTE 3	1	N6411G1-6-27/17
5	INSULATOR	NOTE 6	NATURAL	1	N6481A2-5T-35/06
4	CONTACT PIN	NOTE 4	NOTE 5	1	N6481A2-4-3/06
3	INNER BODY	NOTE 1	NOTE 3	1	N6481A2-3
2	INSULATOR	NOTE 6	NATURAL	1	N6481A2-2T-50-C
1	OUTER BODY	NOTE 1	NOTE 3	1	N6481A2-1-B
NO.	DESCRIPTION	MATERIAL	FINISH	Q'TY	DRAWING NO.

DIMENSIONS ARE IN MILLIMETERS		PART NO.	
UNLESS OTHERWISE SPECIFIED TOLERANCES		APPROVED	
0.5-6 = ±0.2		DATE 09-26-00'	
6-30 = ±0.4		CHECKED	
30-120 = ±0.6		DATE 09-26-00'	
120-315 = ±1		DRAWN	
315-1000 = ±1.6		DATE 09-26-00'	
1000-2000 = ±2.4		SCALE 2.5/1 ISSUE B	

Amphenol - Kai Jack	
TAINAN TAIWAN	
TITLE	N BULKHEAD CRIMP JACK (FOR RG-174/U,188A/U,316/U)
DRAWING NO.	KJ-N6411G1-NT3G-316U-50
FILE NO.	F:\DWG\N\6411G1\316U-50\NT3G

F
E
D
C
B
A

1 2 3 4 5 6 7 8

RD-DR10593