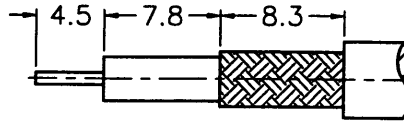
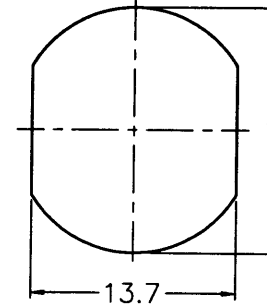


REVISIONS		
ISS	ZONE	DESCRIPTION\PER REQUEST\DATE
B	A-1	NO.3 WAS CHANGED\RD-DM89042201\04-22-00'
C	A-3	NO.7 WAS CHANGED\RD-DM91082201W\08-22-02'

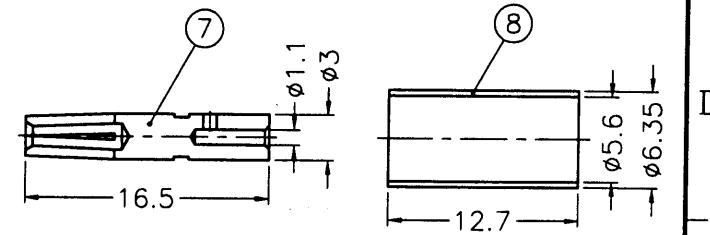
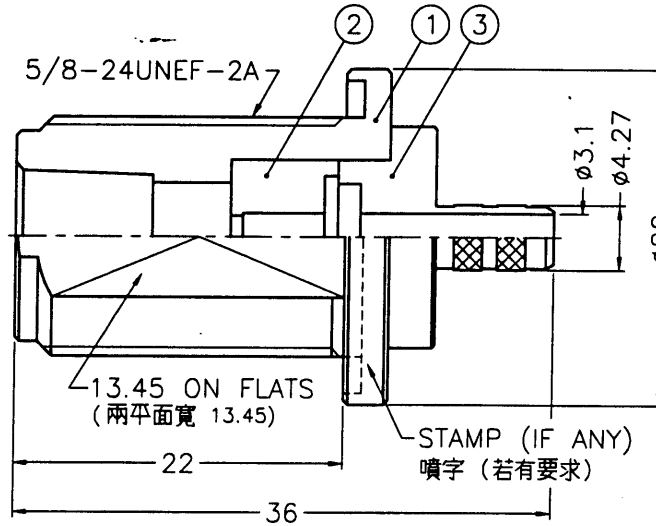
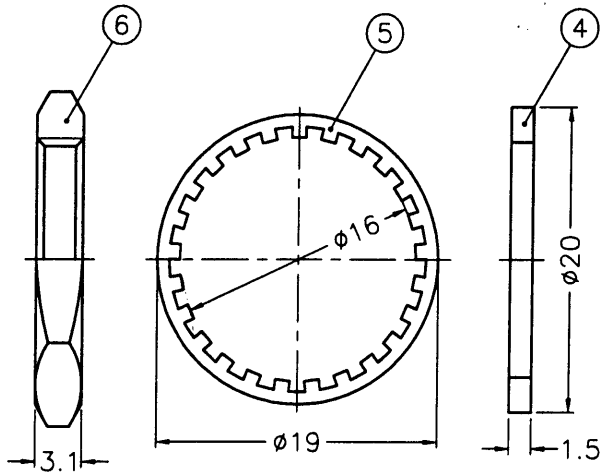


RECOMMENDED
CABLE STRIPPING DIM'S
(建議剝線尺寸)



RECOMMENDED
MOUNTING HOLE
(建議架設孔)

SALES



NOTES: FINISH (PLATING THICKNESS IN MICRO-INCHES)

1. BRASS PER QQ-B-626
2. BRASS PER QQ-B-613
3. NICKEL PL. 100 MIN. THICK OVER COPPER STRIKE
4. PHOSPHOR BRONZE PER QQ-B-750
5. GOLD PL. 3 MIN. THICK OVER NICKEL PL. 100 MIN. THICK OVER COPPER STRIKE
6. TEFLON MIL-P-19468
7. JIS H 3250, C 2600



1. CRIMPED FERRULE
HEX. CRIMP SIZE .213"
2. CONTACT PIN TO SOLDER
3. MAX. PANEL THICKNESS=6.5mm

NO.	DESCRIPTION	MATERIAL	FINISH	Q'TY	DRAWING NO.
8	FERRULE			1	FR-635/56X127
7	CONTACT PIN			1	N7000-4-3/11
6	HEX NUT			1	HN19-5/8-24X31
5	LOCK WASHER			1	LW-19/16X06
4	GASKET	SILICONE	RED	1	GS-20/16X15
3	BARREL			1	N7400-3-427/31 -B
2	INSULATOR		NATURAL	1	N5000-4T-50-A
1	BODY			1	N7400-1

DIMENSIONS ARE IN MILLIMETERS
UNLESS OTHERWISE SPECIFIED
TOLERANCES
0.5-6 = ±0.2
6-30 = ±0.4
30-120 = ±0.6
120-315 = ±1
315-1000 = ±1.6
1000-2000 = ±2.4

PART NO.	
APPROVED	DATE 08-22-02'
CHECKED	DATE 08-22-02'
DRAWN	DATE 08-22-02'

Amphenol - Kai Jack	
TAINAN TAIWAN	
TITLE	N BULKHEAD CRIMP JACK (FOR RG-55/U,142A/U,223/U,400/U)
DRAWING NO.	KJ-N6421A1-NT3G-223U-50
ITEM NO.	036421AAA26NA5F

720-DR-15394 8