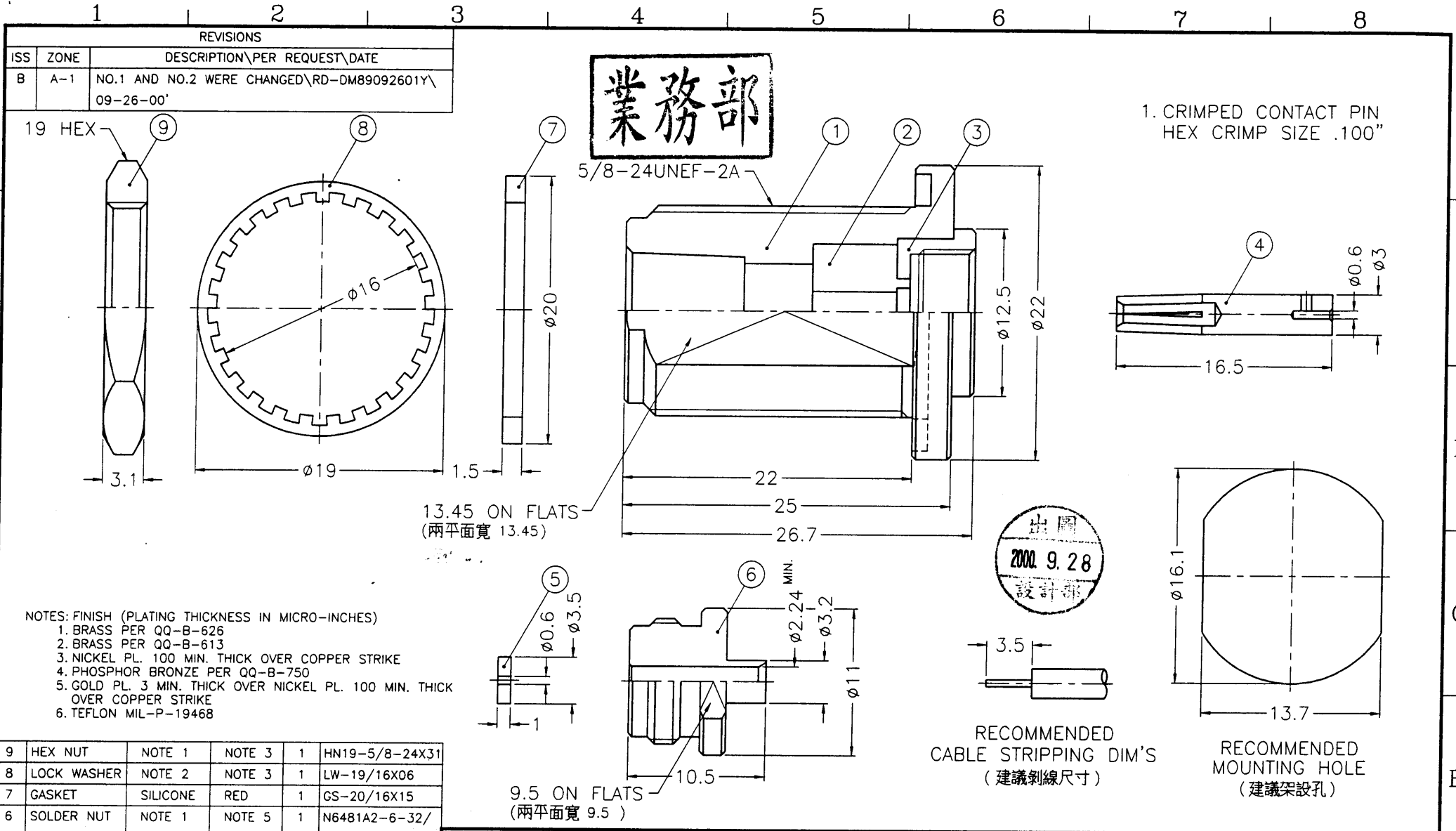


業務部



1. CRIMPED CONTACT PIN  
HEX CRIMP SIZE .100"

- NOTES: FINISH (PLATING THICKNESS IN MICRO-INCHES)
1. BRASS PER QQ-B-626
  2. BRASS PER QQ-B-613
  3. NICKEL PL. 100 MIN. THICK OVER COPPER STRIKE
  4. PHOSPHOR BRONZE PER QQ-B-750
  5. GOLD PL. 3 MIN. THICK OVER NICKEL PL. 100 MIN. THICK OVER COPPER STRIKE
  6. TEFLON MIL-P-19468

9	HEX NUT	NOTE 1	NOTE 3	1	HN19-5/8-24X31
8	LOCK WASHER	NOTE 2	NOTE 3	1	LW-19/16X06
7	GASKET	SILICONE	RED	1	GS-20/16X15
6	SOLDER NUT	NOTE 1	NOTE 5	1	N6481A2-6-32/224
5	INSULATOR	NOTE 6	NATURAL	1	N6481A2-5T-35/06
4	CONTACT PIN	NOTE 4	NOTE 5	1	N6481A2-4-3/06
3	INNER BODY	NOTE 1	NOTE 3	1	N6481A2-3
2	INSULATOR	NOTE 6	NATURAL	1	N6481A2-2T-50-C
1	OUTER BODY	NOTE 1	NOTE 3	1	N6481A2-1-B
NO.	DESCRIPTION	MATERIAL	FINISH	Q'TY	DRAWING NO.

DIMENSIONS ARE IN MILLIMETERS		PART NO.	<p style="text-align: center; font-weight: bold; font-size: 1.2em;">Amphenol - Kai Jack</p> <p style="text-align: center;">TAINAN TAIWAN</p>
UNLESS OTHERWISE SPECIFIED TOLERANCES			
0.5-6	= ±0.2	APPROVED	TITLE
6-30	= ±0.4	DATE	N BULKHEAD DIRECT SOLDER JACK
30-120	= ±0.6	DATE	(FOR .085", .086" CABLE)
120-315	= ±1	DATE	DRAWING NO.
315-1000	= ±1.6	DATE	KJ-N6481A2-NT3G-.085-50
1000-2000	= ±2.4	DATE	FILE NO. F:\DWG\N\6481A2\085-50\NT3G
SCALE	2.5/1	ISSUE	B

RD-DR10596