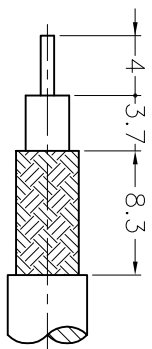


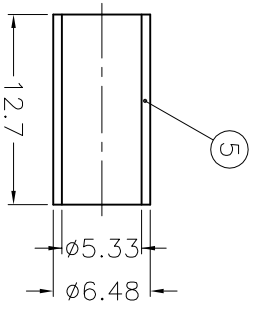
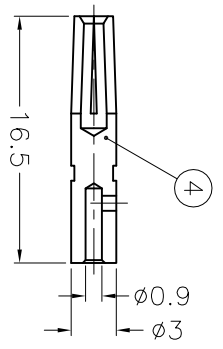
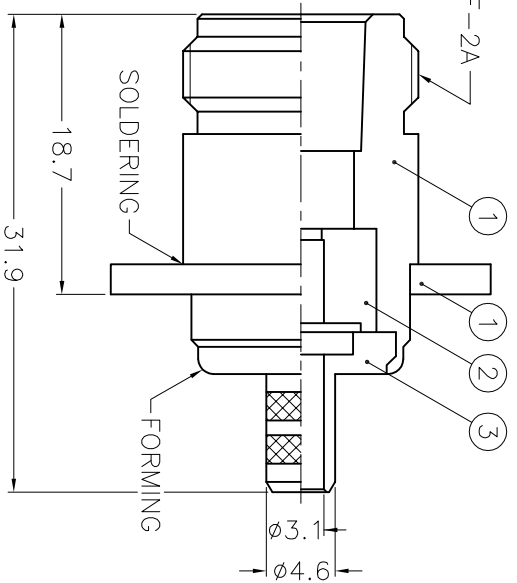
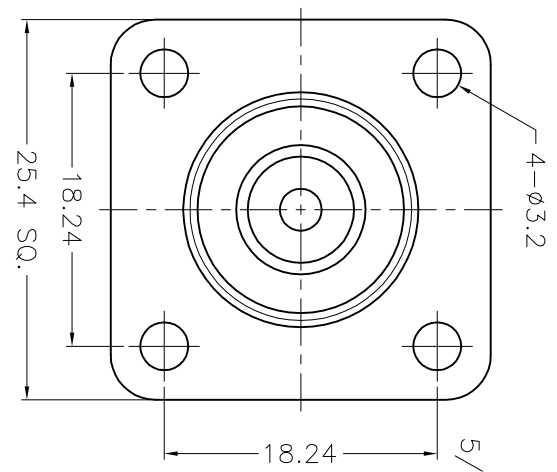
ISS	ZONE	DESCRIPTION	APPROVED	DATE

REVISIONS

1 2 3 4 5 6 7 8



RECOMMENDED
CABLE STRIPPING DIM'S



NOTES: 1. PER KAI JACK SPEC. EP-SS-9700
2. BRASS PER QQ-B-626
3. PHOSPHOR BRONZE PER QQ-B-750
4. TEFLON MIL-P-19468

NO.	DESCRIPTION	MATERIAL	FINISH	Q'TY	DRAWING NO.
5	FERRULE	COPPER	NOTE 1	1	FR-648/533X 127C
4	CONTACT PIN	NOTE 3	NOTE 1	1	N7000-4-3/09
3	BARREL	NOTE 2	NOTE 1	1	NS000-3-46/31
2	INSULATOR	NOTE 4	NATURAL	1	NS000-4T-50-A
1	BODY WITH PANEL	NOTE 2	NOTE 1	1	N6521A1-1S

DIMENSIONS ARE IN MILLIMETERS
UNLESS OTHERWISE SPECIFIED
TOLERANCES

0.5-6 = ±0.2
6-30 = ±0.4
30-120 = ±0.6
120-315 = ±1
315-1000 = ±1.6
1000-2000 = ±2.4

PART NO.	DATE
APPROVED	05-26-98'
CHECKED	05-26-98'
DRAWN	05-26-98'

KAI JACK INDUSTRIAL CO., LTD.
TAINAN TAIWAN R.O.C.

TITLE
N PANEL CRIMP JACK

DRAWING NO. KJ-N6521A1-58U-50
FILE NO. F:\DWG\N6521A1\58U-50

1 2 3 4 5 6 7 8

A A