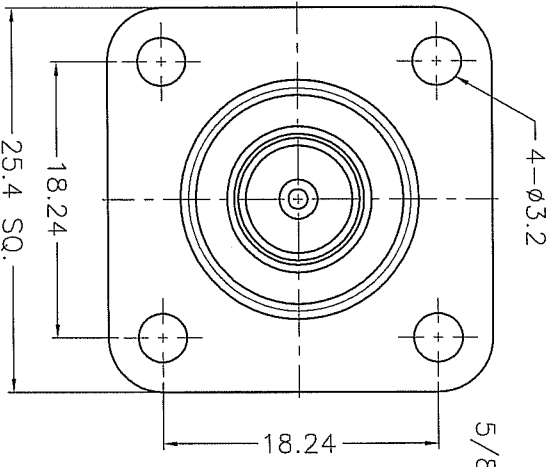
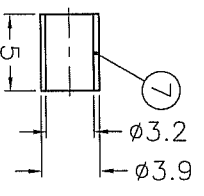
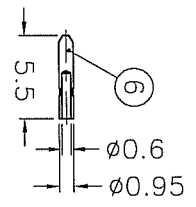
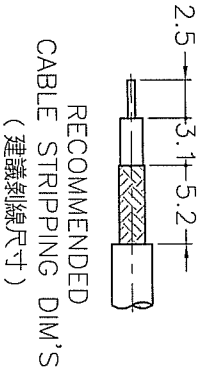
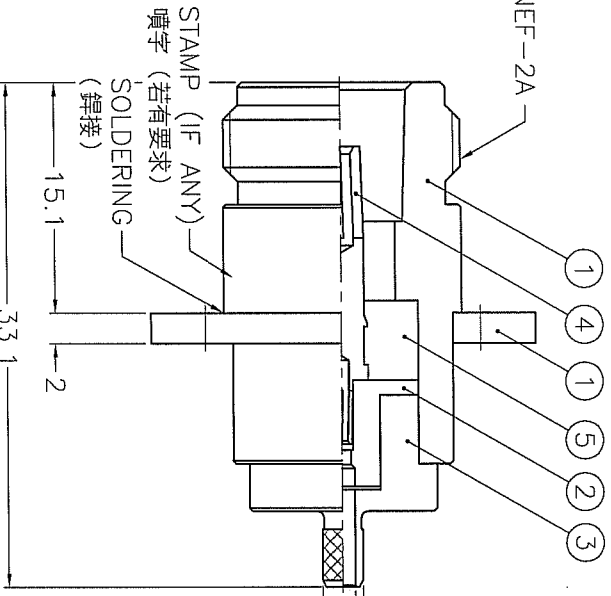


ISS		ZONE		REVISIONS		DESCRIPTION \ PER REQUEST \ DATE	
-----	--	------	--	-----------	--	----------------------------------	--



- NOTES: FINISH (PLATING THICKNESS IN MICRO-INCHES)
1. BRASS PER QQ-B-626
 2. NICKEL PL. 100 MIN. THICK OVER COPPER STRIKE
 3. PHOSPHOR BRONZE PER QQ-B-750
 4. GOLD PL. 3 MIN. THICK OVER NICKEL PL. 100 MIN. THICK OVER COPPER STRIKE
 5. TEFLON MIL-P-19468
 6. JIS H 3250, C 2600

7	FERRULE	NOTE 6	NOTE 2	1	FR00AEO8A
6	CONTACT PIN	NOTE 1	NOTE 4	1	B50003-9-0.6
5	INSULATOR	NOTE 5	NATURAL	1	N6421G1-5T-50
4	CONTACT PIN	NOTE 3	NOTE 4	1	N6421G1-4-1.05
3	BARREL	NOTE 1	NOTE 2	1	N6421G1-3-27/17-C
2	INSULATOR	NOTE 5	NATURAL	1	N6421G1-2T-50
1	BODY WITH PANEL	NOTE 1	NOTE 2	1	N6521G1-1S



1. CRIMPED FERRULE
HEX CRIMP SIZE .128"
2. CRIMPED CONTACT PIN
SQ. CRIMP SIZE 0.7(mm)

DIMENSIONS ARE IN MILLIMETERS
UNLESS OTHERWISE SPECIFIED
TOLERANCES
0.5-6 = ±0.2
6-30 = ±0.4
30-120 = ±0.6
120-315 = ±1
315-1000 = ±1.6
1000-2000 = ±2.4

PART NO.		FILE NO.
APPROVED	DATE	F:\DWG\N\6521G1\002\NT3G\50SZ
CHECKED	DATE	
DRAWN	DATE	

Amphenol
Donbury, CT, USA - Tainan, Taiwan - Shenzhen, China

TITLE: N PANEL CRIMP JACK
(FOR RG-174/U, 188A/U, 316/U)

DRAWING NO. N6521G1-002-NT3G-50

ITEM NO. 036521AAL36NA5F

1 2 3 4 5 6 7 8