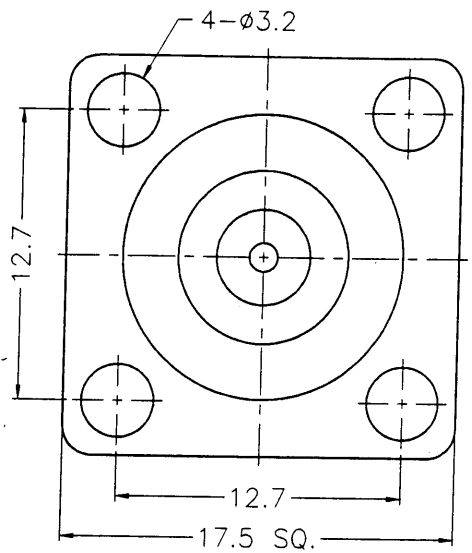
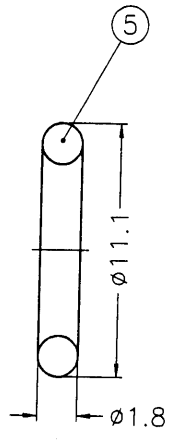
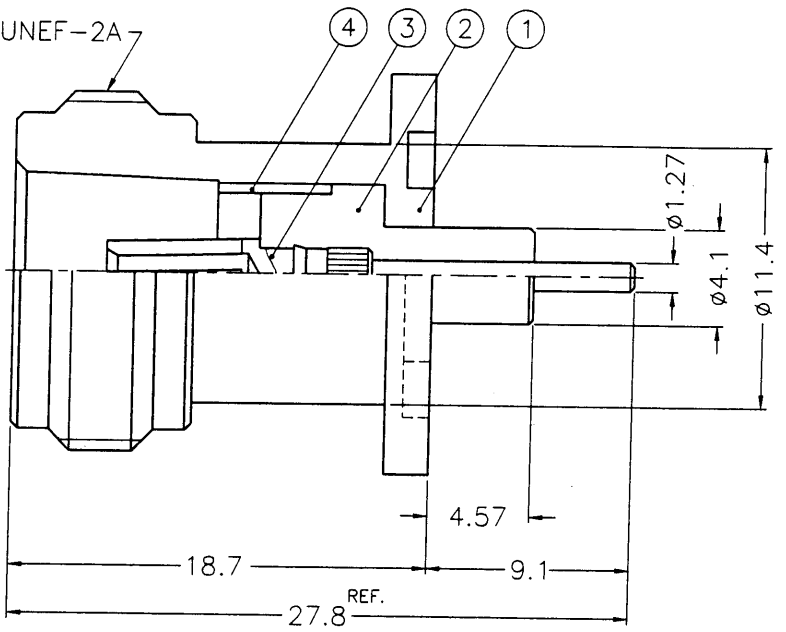


業務部

REVISIONS			
ISS	ZONE	DESCRIPTION\PER REQUEST\DATE	



NOTES: FINISH (PLATING THICKNESS IN MICRO-INCHES)
 1. BRASS PER QQ-B-626
 2. NICKEL PL. 100 MIN. THICK OVER COPPER STRIKE
 3. PHOSPHOR BRONZE PER QQ-B-750
 4. GOLD PL. 3 MIN. THICK OVER NICKEL PL. 100 MIN. THICK OVER COPPER STRIKE
 5. TEFLON MIL-P-19468

出圖
 2000.11.24
 業務部

NO.	DESCRIPTION	MATERIAL	FINISH	Q'TY	DRAWING NO.
5	GASKET	SILICONE	RED	1	GS-111/75XD18-B
4	RING	NOTE 1	NOTE 2	1	N-JACK-LR1
3	CONTACT PIN	NOTE 3	NOTE 4	1	N6551E1-010-3
2	INSULATOR	NOTE 5	NATURAL	1	N6551E1-010-2
1	BODY	NOTE 1	NOTE 2	1	N7550-1

DIMENSIONS ARE IN MILLIMETERS			
UNLESS OTHERWISE SPECIFIED TOLERANCES			
0.5-6	=	±0.2	
6-30	=	±0.4	
30-120	=	±0.6	
120-315	=	±1	
315-1000	=	±1.6	
1000-2000	=	±2.4	
SCALE	3/1	ISSUE	A

PART NO.	
APPROVED	<i>[Signature]</i> DATE 11-22-00'
CHECKED	<i>[Signature]</i> DATE 11-22-00'
DRAWN	<i>[Signature]</i> DATE 11-22-00'

Amphenol - Kai Jack	
TAINAN TAIWAN	
TITLE	N PANEL RECEPT. JACK
DRAWING NO.	KJ-N6551E1-010-NT3G
FILE NO.	F:\DWG\N\6551E1\010\NT3G

RD8DR11087