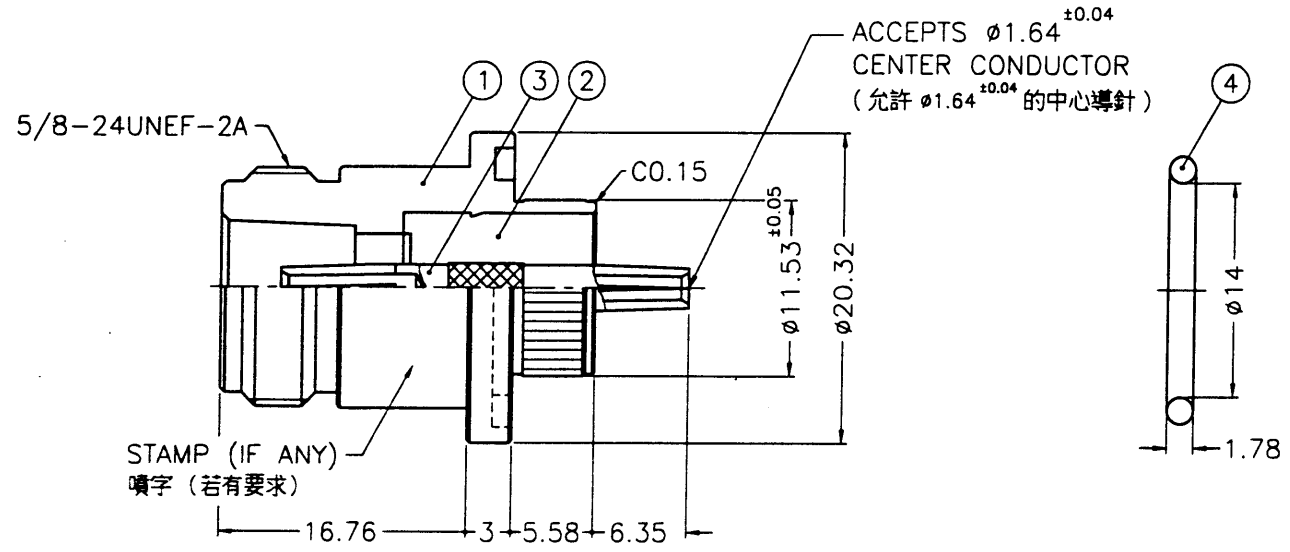


REVISIONS		
ISS	ZONE	DESCRIPTION\PER REQUEST\DATE
B	B-1	NOTE2, NOTE4 AND NO.3 WAS CHANGED
	A-1	\RD-DM91101801K\10-18-02'

**SALES**



- NOTES: FINISH (PLATING THICKNESS IN MICRO-INCHES)
1. BRASS PER QQ-B-626
  2. SILVER PL. 200 MIN. THICK OVER COPPER STRIKE
  3. BERYLLIUM COPPER PER QQ-C-530
  4. GOLD PL. 50 MIN. THICK OVER NICKEL PL. 100 MIN. THICK OVER COPPER STRIKE
  5. TEFLON MIL-P-19468

ISSUED  
2002. 10. 29  
R&D

DIMENSIONS ARE IN MILLIMETERS					PART NO.							
UNLESS OTHERWISE SPECIFIED TOLERANCES 0.5-6 = ±0.2 6-30 = ±0.4 30-120 = ±0.6 120-315 = ±1 315-1000 = ±1.6 1000-2000 = ±2.4					APPROVED <i>Jacky</i> DATE 10-18-02'				<b>Amphenol - Kai Jack</b> TAINAN TAIWAN TITLE N PRESS IN RECEPT. JACK			
					CHECKED <i>Ken</i> DATE 10-18-02'							
					DRAWN <i>Ken</i> DATE 10-18-02'				ITEM NO. 037351AAA05QC5F			
4	GASKET	SILICONE	RED	1	531-20085-015	SCALE	2/1	ISSUE	B	FILE NO.	F:\DWG\N\7351A1\50\5JT50G	
3	CONTACT PIN	NOTE 3	NOTE 4	1	CP03ACM03B							
2	INSULATOR	NOTE 5	NATURAL	1	N6551A1-004-2							
1	BODY	NOTE 1	NOTE 2	1	BD03AEN01A							