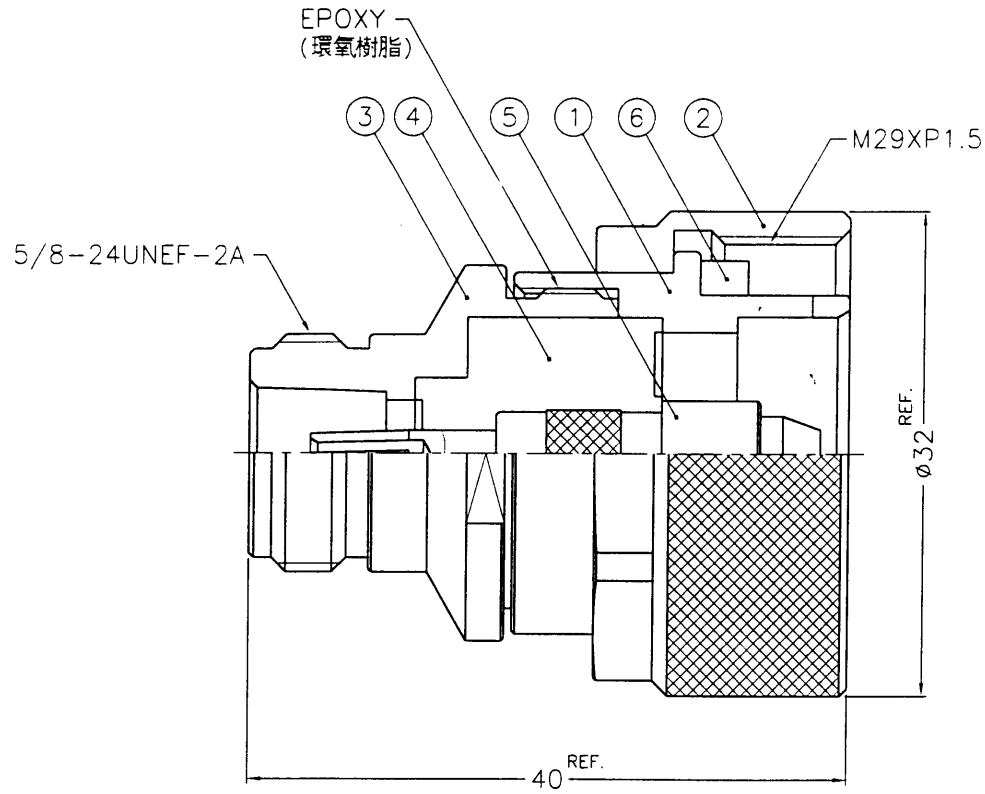


1 2 3 4 5 6 7 8

REVISIONS			
ISS	ZONE	DESCRIPTION\PER REQUEST\DATE	


業務部



NOTES: FINISH (PLATING THICKNESS IN MICRO-INCHES)
 1. BRASS PER QQ-B-626
 2. ALBALOY PLATING (COPPER-TIN-ZINC)
 3. BERYLLIUM COPPER PER QQ-C-530
 4. SILVER PL. 200 MIN. THICK OVER COPPER STRIKE
 5. TEFLON MIL-P-19468



DIMENSIONS ARE IN MILLIMETERS				PART NO.	
UNLESS OTHERWISE SPECIFIED TOLERANCES				APPROVED <i>Mark C</i> DATE 08-19-99'	
0.5-6 = ±0.2				CHECKED <i>Mark C</i> DATE 08-19-99'	
6-30 = ±0.4				DRAWN <i>Betty L</i> DATE 08-19-99'	
30-120 = ±0.6					
120-315 = ±1					
315-1000 = ±1.6					
1000-2000 = ±2.4					
SCALE	2/1	ISSUE	A		

 KAI JACK INDUSTRIAL CO., LTD. TAINAN TAIWAN R.O.C.	
TITLE N FEMALE TO 7/16 MALE ADAPTOR	
DRAWING NO. KJ-NF-716M-N/NTS-50	
FILE NO. F:\DWG\NF\716M\50\NNTS	

NO.	DESCRIPTION	MATERIAL	FINISH	Q'TY	DRAWING NO.
6	GASKET	SILICONE	RED	1	GS-25/205X35
5	CONTACT PIN	NOTE 3	NOTE 4	1	NF-716M-5
4	INSULATOR	NOTE 5	NATURAL	1	NM-716M-4T-50
3	BODY	NOTE 1	NOTE 2	1	NF-716M-3
2	SHELL	NOTE 1	NOTE 2	1	7161141A1-7
1	HOUSING	NOTE 1	NOTE 2	1	7162071A1-1

F
E
D
C
B
A

F
E
D
C
E
A

8876256