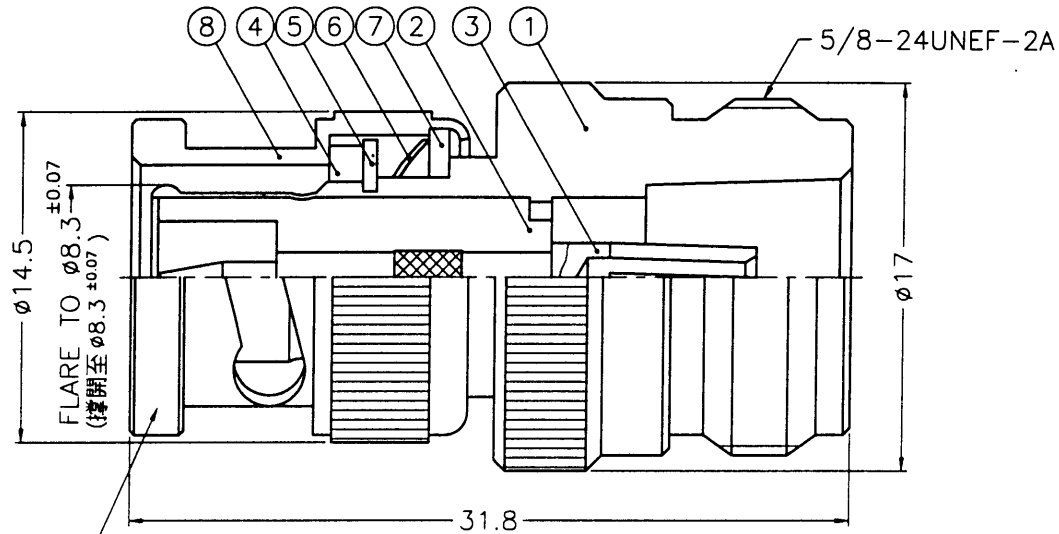


SALES



STAMP (IF ANY)
噴字 (若有要求)

- NOTES: FINISH (PLATING THICKNESS IN MICRO-INCHES)
1. BRASS PER QQ-B-626
 2. BRASS PER QQ-B-613
 3. NICKEL PL. 100 MIN. THICK OVER COPPER STRIKE
 4. NICKEL PL. 200 MIN. THICK OVER COPPER STRIKE
 5. PHOSPHOR BRONZE PER QQ-B-750
 6. GOLD PL. 3 MIN. THICK OVER NICKEL PL. 100 MIN. THICK OVER COPPER STRIKE
 7. TEFLON MIL-P-19468



NO.	DESCRIPTION	MATERIAL	FINISH	Q'TY	DRAWING NO.	SCALE	3/1	ISSUE	B	FILE NO.	F:\DWG\NF\BM\50\NT3G-B																																																																																			
8	SHELL			1	B50000-1-B	DIMENSIONS ARE IN MILLIMETERS UNLESS OTHERWISE SPECIFIED TOLERANCES 0.5-6 = ±0.2 6-30 = ±0.4 30-120 = ±0.6 120-315 = ±1 315-1000 = ±1.6 1000-2000 = ±2.4				PART NO.																																																																																				
7	WASHER			1	WS-128/9X08					APPROVED	<i>A. C.</i>	DATE 05-16-02'																																																																																		
6	SPRING			1	B50000-6					CHECKED	<i>Staly.w</i>	DATE 05-16-02'																																																																																		
5	RETAINER RING			1	B50000-5					DRAWN	<i>Staly.w</i>	DATE 05-16-02'																																																																																		
4	GASKET	RUBBER	RED	1	GS-115/8X15																																																																																									
3	CONTACT PIN			1	RFT-1234-4																																																																																									
2	INSULATOR		NATURAL	1	NS01AJW01A																																																																																									
1	BODY			1	BD00AQND1A																																																																																									
<table border="0" style="width: 100%;"> <tr> <td colspan="10" style="text-align: center;">Amphenol - Kai Jack</td> <td colspan="2" style="text-align: center;">TAINAN TAIWAN</td> </tr> <tr> <td colspan="10"></td> <td colspan="2" style="text-align: center;">TITLE</td> </tr> <tr> <td colspan="10"></td> <td colspan="2" style="text-align: center;">N FEMALE TO BNC MALE ADAPTOR</td> </tr> <tr> <td colspan="10"></td> <td colspan="2" style="text-align: center;">DRAWING NO.</td> </tr> <tr> <td colspan="10"></td> <td colspan="2" style="text-align: center;">KJ-NF-BM-NT3G-50</td> </tr> <tr> <td colspan="10"></td> <td colspan="2" style="text-align: center;">ITEM NO.</td> </tr> <tr> <td colspan="10"></td> <td colspan="2" style="text-align: center;">03F-01M1-NA-5-F</td> </tr> </table>											Amphenol - Kai Jack										TAINAN TAIWAN												TITLE												N FEMALE TO BNC MALE ADAPTOR												DRAWING NO.												KJ-NF-BM-NT3G-50												ITEM NO.												03F-01M1-NA-5-F	
Amphenol - Kai Jack										TAINAN TAIWAN																																																																																				
										TITLE																																																																																				
										N FEMALE TO BNC MALE ADAPTOR																																																																																				
										DRAWING NO.																																																																																				
										KJ-NF-BM-NT3G-50																																																																																				
										ITEM NO.																																																																																				
										03F-01M1-NA-5-F																																																																																				

7RD-DR 14731 8