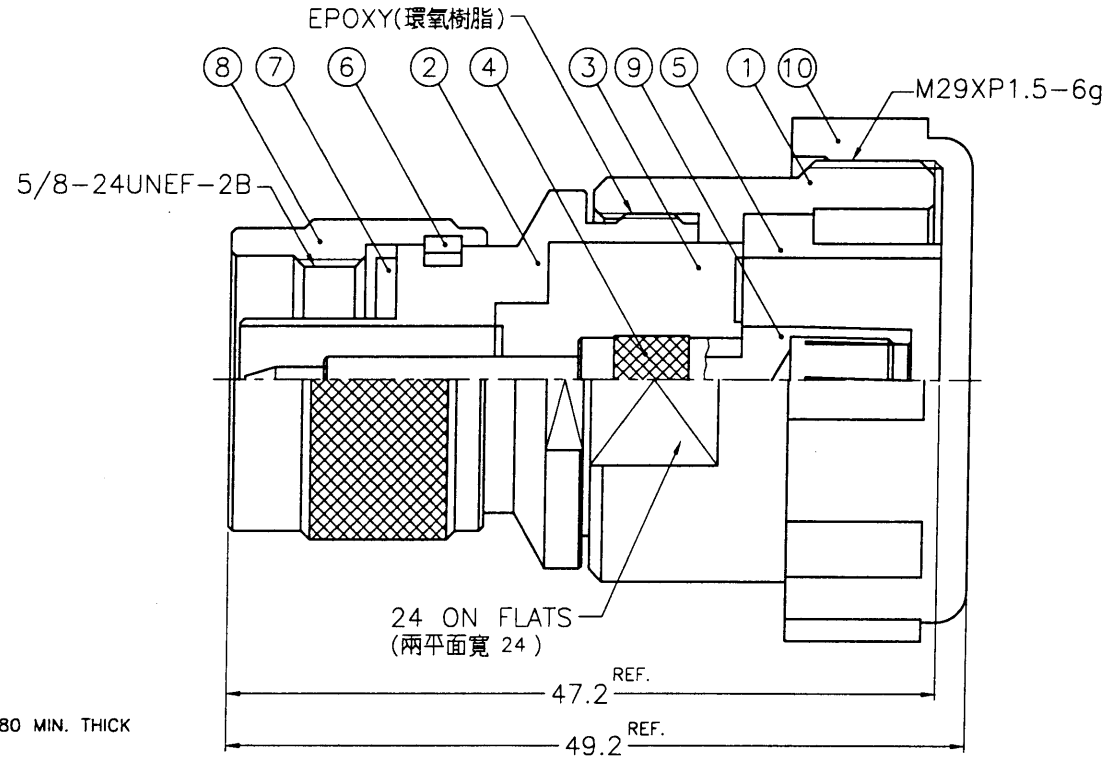


SALES



- NOTES: FINISH (PLATING THICKNESS IN MICRO-INCHES)
1. BRASS PER QQ-B-626
 2. ALBALOY PLATING (COPPER-TIN-ZINC ALLOY) PL. 80 MIN. THICK
 3. BERYLLIUM COPPER PER QQ-C-530
 4. SILVER PL. 200 MIN. THICK OVER COPPER STRIKE
 5. TEFLON MIL-P-19468
 6. BLUE, PER PANTONE 3005C

ISSUED
2002. 1. 17
R&D

10	COVER	PE	NOTE 6	1	7166141A1-9	
9	CONTACT PIN		NOTE 3	NOTE 4	1	7167071A1-5-D
8	S-ELL		NOTE 1	NOTE 2	1	N5000-1-B
7	GASKET	SILICONE	RED		1	GS-156/BX15
6	RETAINER RING	SUS304	NATURAL		1	N5000-7-C
5	OUTER CONTACT		NOTE 1	NOTE 2	1	7167071A1-2
4	CONTACT PIN		NOTE 1	NOTE 4	1	NM-716F-4-B
3	INSULATOR		NOTE 5	NATURAL	1	NM-716M-4T-50
2	BODY		NOTE 1	NOTE 2	1	NM-716M-3
1	HOUSING		NOTE 1	NOTE 2	1	NM-716F-1
NO.	DESCRIPTION	MATERIAL	FINISH	QTY	DRAWING NO.	

DIMENSIONS ARE IN MILLIMETERS			PART NO.
UNLESS OTHERWISE SPECIFIED TOLERANCES			APPROVED <i>AOK C</i> DATE 01-17-02'
0.5-6	= ±0.2		CHECKED <i>Shaly w</i> DATE 01-17-02'
6-30	= ±0.4		DRAWN <i>Shaly w</i> DATE 01-17-02'
30-120	= ±0.6		
120-315	= ±1		
315-1000	= ±1.6		
1000-2000	= ±2.4		
SCALE	2/1	ISSUE	A
FILE NO.	F:\DWG\NM\716F\50\ATS		

Amphenol - Kai Jack	
TAINAN TAIWAN	
TITLE	N MALE TO 7/16 FEMALE ADAPTOR
DRAWING NO.	KJ-NM-716F-ATS-50
ITEM NO.	03M-07F1-AB-5-F

7002-00 12/1/02 R