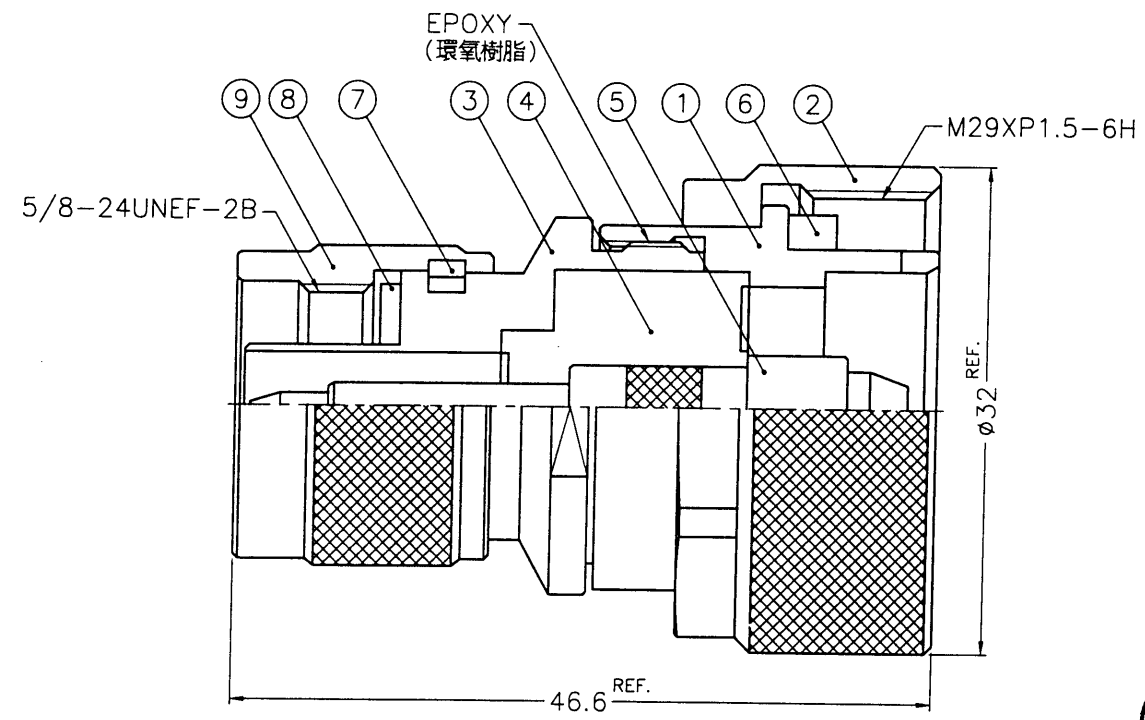


SALES



NOTES: FINISH (PLATING THICKNESS IN MICRO-INCHES)
 1. BRASS PER QQ-B-626
 2. NICKEL PL. 100 MIN. THICK OVER COPPER STRIKE
 3. SILVER PL. 200 MIN. THICK OVER COPPER STRIKE
 4. TEF_\ON MIL-P-19468

ISSUED
 2002. 1. 17
 R&D

NO.	DESCRIPTION	MATERIAL	FINISH	Q'TY	DRAWING NO.
9	SHELL			1	N5000-1-B
8	GASKET	SILICONE	RED	1	GS-156/8X15
7	RETAINER RING	SUS304	NATURAL	1	N5000-7-C
6	GASKET	SILICONE	RED	1	GS-25/205X35
5	CONTACT PIN			1	NM-716M-5
4	INSULATOR		NATURAL	1	NM-716M-4T-50
3	BODY			1	NM-716M-3
2	SHELL			1	7161141A1-7
1	PLUGGING			1	7162071A1-1

DIMENSIONS ARE IN MILLIMETERS
 UNLESS OTHERWISE SPECIFIED TOLERANCES
 0.5-6 = ±0.2
 6-30 = ±0.4
 30-120 = ±0.6
 120-315 = ±1
 315-1000 = ±1.6
 1000-2000 = ±2.4

PART NO.	
APPROVED	<i>Aok C</i> DATE 01-17-02'
CHECKED	<i>Shaly w</i> DATE 01-17-02'
DRAWN	<i>Shaly w</i> DATE 01-17-02'
FILE NO.	F:\DWG\NM\716M\50\NTS

Amphenol - Kai Jack	
TAINAN TAIWAN	
TITLE	N MALE TO 7/16 MALE ADAPTOR
DRAWING NO.	NM-716M-NTS-50
ITEM NO.	03M-07M1-NJ-5-F

7RD-DR 13668 8