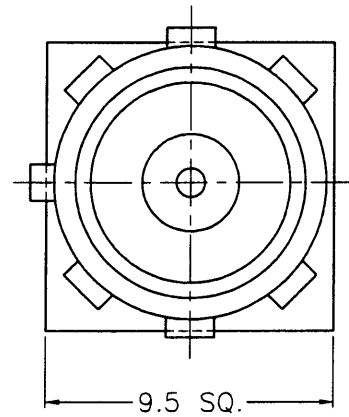
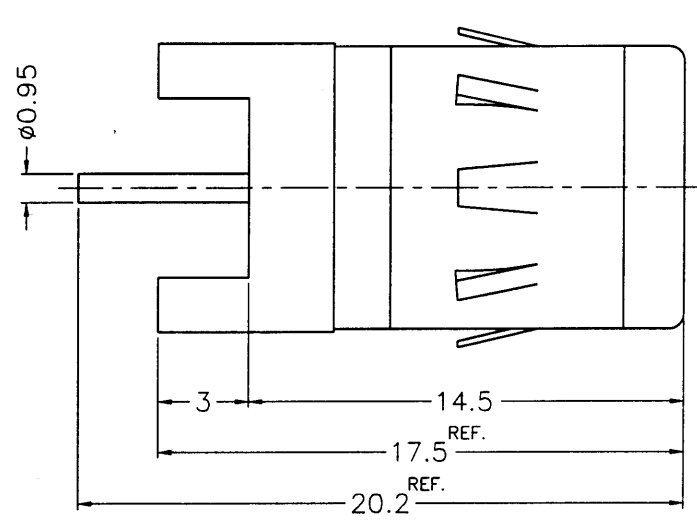


1 2 3 4 5 6 7 8

REVISIONS		
ISS	ZONE	DESCRIPTION\PER REQUEST\DATE

業務部



出圖
88.10.21
E & D

NOTES: FINISH (PLATING THICKNESS IN MICRO-INCHES)
 1. BRASS PER QQ-B-626
 2. NICKEL PL. 100 MIN. THICK OVER COPPER STRIKE
 3. BRIGHT TIN PL. 80 MIN. THICK OVER COPPER PL.100 MIN.

DIMENSIONS ARE IN MILLIMETERS			
UNLESS OTHERWISE SPECIFIED TOLERANCES			
0.5-6	=	±0.2	
6-30	=	±0.4	
30-120	=	±0.6	
120-315	=	±1	
315-1000	=	±1.6	
1000-2000	=	±2.4	

PART NO.	
APPROVED	<i>[Signature]</i> DATE 10-19-99'
CHECKED	<i>[Signature]</i> DATE 10-19-99'
DRAWN	<i>[Signature]</i> DATE 10-19-99'

Amphenol - Kai Jack	
TAINAN TAIWAN	
TITLE	G TYPE FEMALE PC MOUNT
DRAWING NO.	OS-7260-NPPT
FILE NO.	F:\DWG\OS\7260\NPPT

NO.	DESCRIPTION	MATERIAL	FINISH	Q'TY	DRAWING NO.
3	CONTACT PIN	NOTE 1	NOTE 3		
2	INSULATOR	PP	WHITE		
1	BODY	NOTE 1	NOTE 2		

1 2 3 4 5 6 7 8

ESP/RS/SY