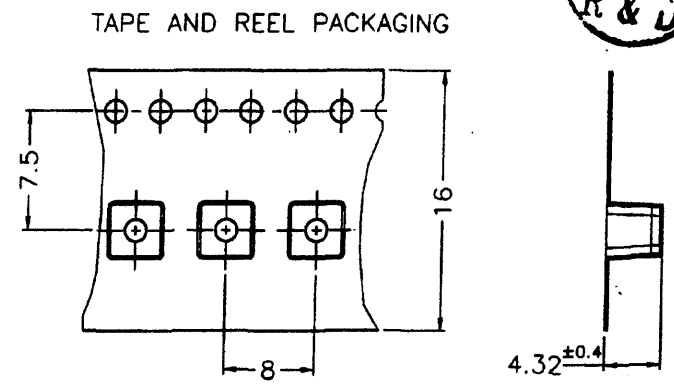
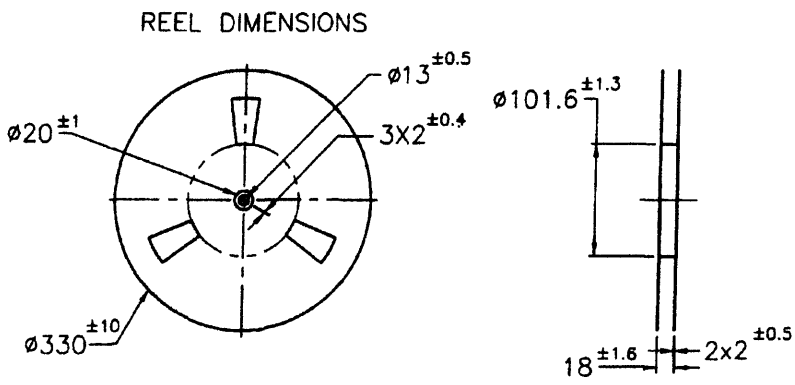
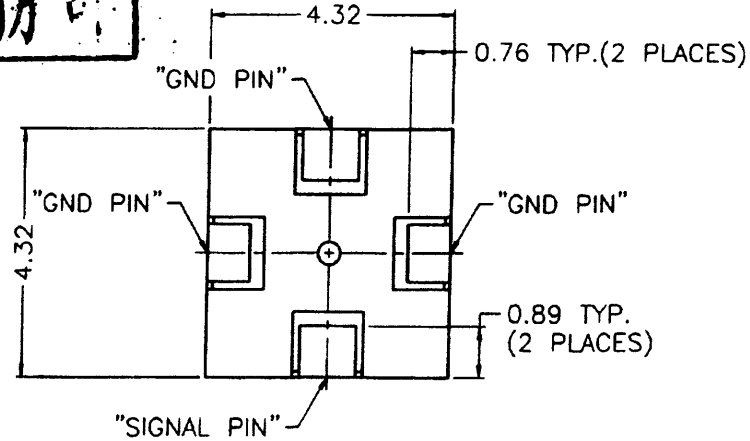
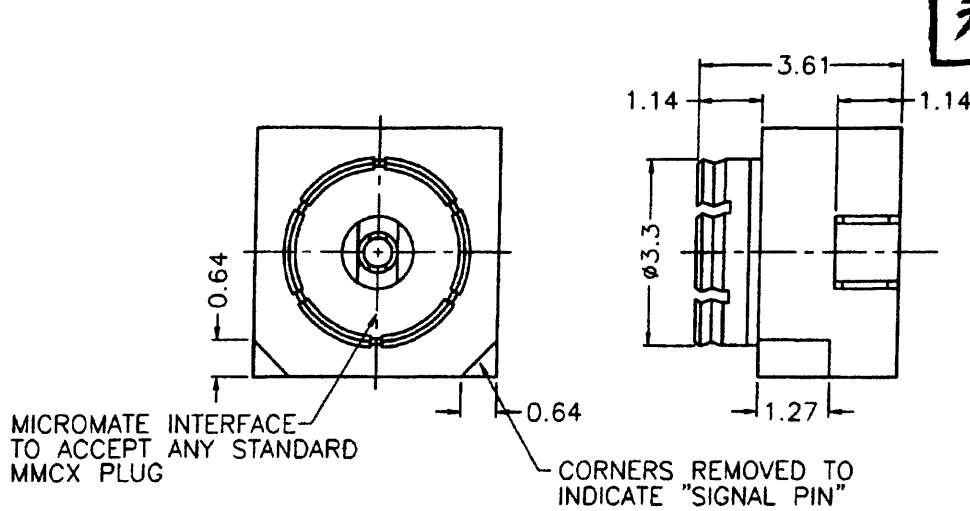


業務部

REVISIONS		
ISS	ZONE	DESCRIPTION\PER REQUEST\DATE



88.7.21
R & U

- NOTES: FINISH (PLATING THICKNESS IN MICRO-INCHES)
- GOLD PL. 3 MIN. THICK OVER NICKEL PL. 100 MIN. THICK OVER COPPER STRIKE
 - BERYLLIUM COPPER PER QQ-C-530
 - GOLD PL. 30 MIN. THICK OVER NICKEL PL. 100 MIN. THICK OVER COPPER STRIKE
 - LIQUID CRYSTAL POLYMER

DIMENSIONS ARE IN MILLIMETERS	
UNLESS OTHERWISE SPECIFIED TOLERANCES	
0.5-6	= ±0.2
6-30	= ±0.4
30-120	= ±0.6
120-315	= ±1
315-1000	= ±1.6
1000-2000	= ±2.4

PART NO.	
APPROVED	DATE 07-20-99'
CHECKED	DATE 07-20-99'
DRAWN	DATE 07-20-99'

KAI JACK INDUSTRIAL CO., LTD. TAINAN TAIWAN R.O.C.	
TITLE MMCX SURFACE MOUNT JACK	
DRAWING NO. OS-908-22101T	
FILE NO. F:\DWG\OS\908\22101T\00	

NO.	DESCRIPTION	MATERIAL	FINISH	Q'TY	DRAWING NO.
3	HOUSING(SMT)	NOTE 4	BLACK		
2	CONTACT PIN	NOTE 2	NOTE 3		
1	BODY	NOTE 2	NOTE 1		

8MMCR-154