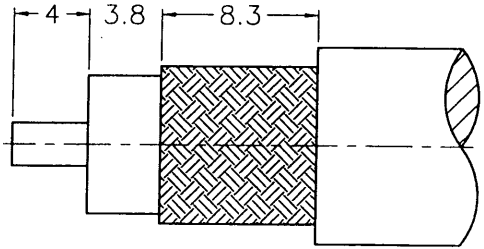
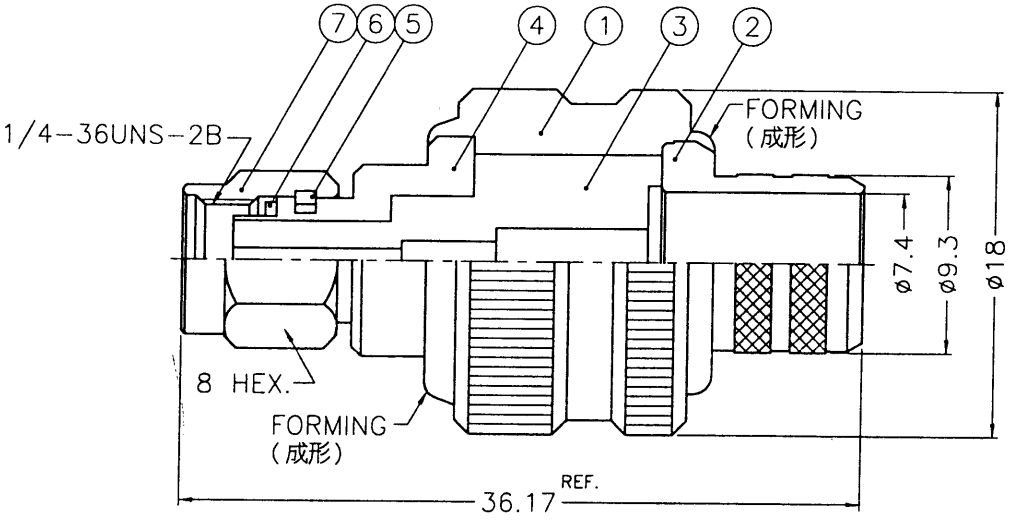
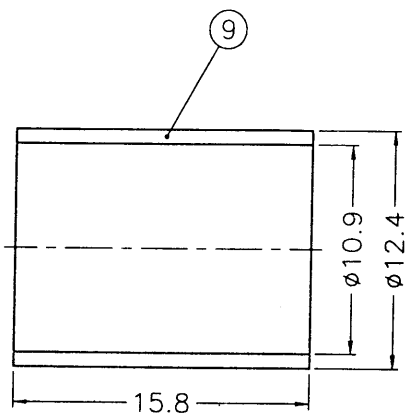
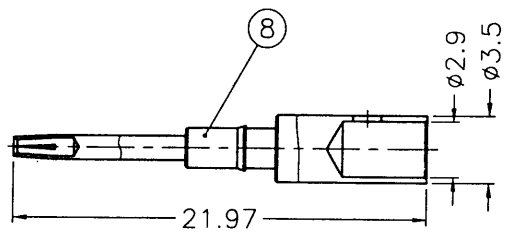


REVISIONS		
ISS	ZONE	DESCRIPTION\PER REQUEST\DATE
A1	A-8	TITLE WAS CHANGED\N/A\07-14-03'



**SALES**

RECOMMENDED  
CABLE STRIPPING DIM'S  
(建議剝線尺寸)



- NOTES: FINISH (PLATING THICKNESS IN MICRO-INCHES)
- BRASS PER QQ-B-626
  - NICKEL PL. 100 MIN. THICK OVER COPPER STRIKE
  - BERYLLIUM COPPER PER QQ-C-530
  - GOLD PL. 50 MIN. THICK OVER NICKEL PL. 100 MIN. THICK OVER COPPER STRIKE
  - TEFLON MIL-P-19468
  - JIS H 3250, C 2600

ISSUED  
2003. 7. 16  
T D

- CRIMPED FERRULE  
HEX. CRIMP SIZE .429"
- CRIMPED CONTACT PIN  
HEX. CRIMP SIZE .118"

9	FERRULE	NOTE 6	NOTE 2	1	FR-124/109X158
8	CONTACT PIN	NOTE 3	NOTE 4	1	RSMA1121A1-8-35/29
7	SHELL	NOTE 1	NOTE 2	1	SMA5000-1-C
6	GASKET	SILICONE	RED	1	GS-6/43X06
5	RETAINER RING	NOTE 3	NATURAL	1	SMA5000-4-B
4	BODY	NOTE 1	NOTE 2	1	NM-SMAM1-4
3	INSULATOR	NOTE 5	NATURAL	1	SMA1121A1-3T-50
2	BARREL	NOTE 1	NOTE 2	1	N5000-3-93/74-B
1	HOUSING	NOTE 1	NOTE 2	1	SMA1121A1-1
NO.	DESCRIPTION	MATERIAL	FINISH	Q'TY	DRAWING NO.

DIMENSIONS ARE IN MILLIMETERS  
UNLESS OTHERWISE SPECIFIED TOLERANCES

0.5-6	= ±0.2
6-30	= ±0.4
30-120	= ±0.6
120-315	= ±1
315-1000	= ±1.6
1000-2000	= ±2.4

PART NO.	
APPROVED	DATE 07-14-03'
CHECKED	DATE 07-14-03'
DRAWN	DATE 07-14-03'
FILE NO. F:\DWG\RSMA\1121A1\9913-50\NT50G-A1	

**Amphenol**  
Danbury, CT, USA - Tainan, Taiwan - Shenzhen, China

TITLE SMA REVERSE POLARITY CRIMP PLUG (FOR BELDEN 9913, 9914)

DRAWING NO. RSMA1121A1-NT50G-9913-50

ITEM NO. 611121AAA93NE5F

A

A