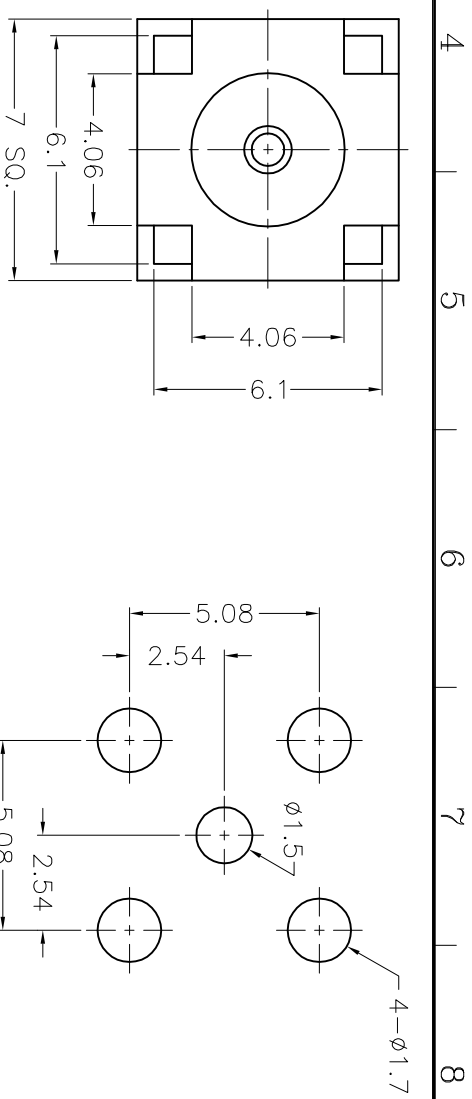
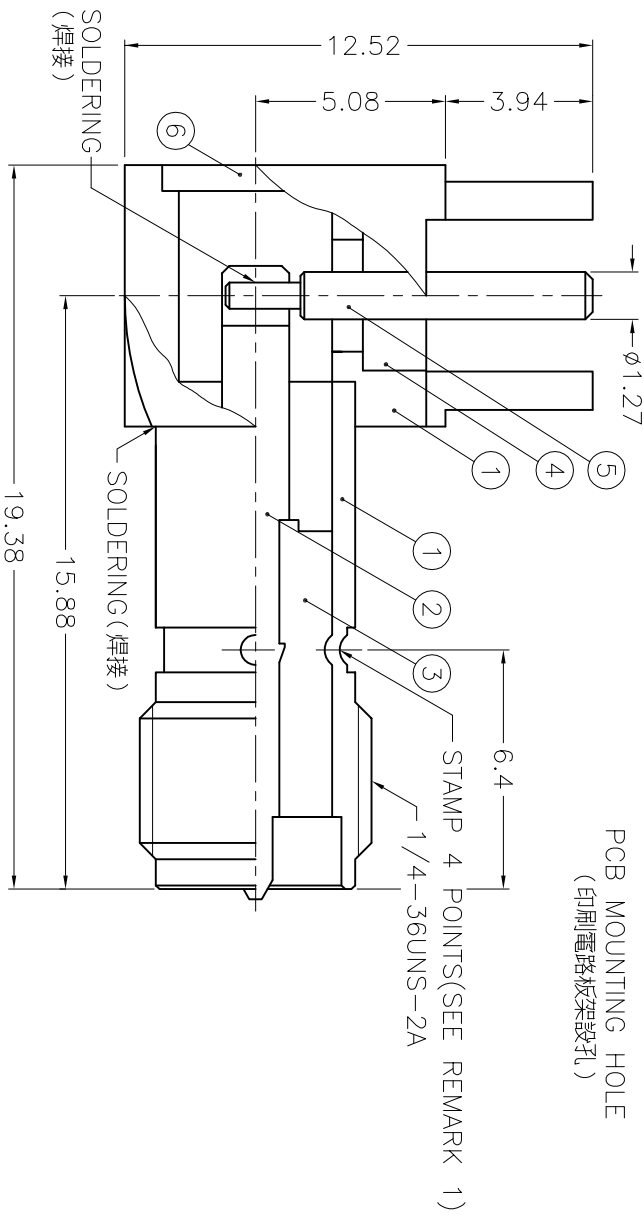


ISS	ZONE	DESCRIPTION \ PER REQUEST \ DATE



REMARK: 1. STAMPING THE FOUR POINTS SHOWN ON THE DRAWING WITHOUT PUNCTURING NO.1



- NOTES: FINISH (PLATING THICKNESS IN MICRO-INCHES)
1. BRASS PER QQ-B-626
  2. BRASS PER QQ-B-613
  3. GOLD PL. 3 MIN. THICK OVER NICKEL PL. 100 MIN. THICK OVER COPPER STRIKE
  4. GOLD PL. 50 MIN. THICK OVER NICKEL PL. 100 MIN. THICK OVER COPPER STRIKE
  5. TEFLON MIL-P-19468

NO.	DESCRIPTION	MATERIAL	FINISH	Q'TY	DRAWING NO.	SCALE	5/1	ISSUE	A1	FILE NO.	F:\DWG\RSMA\6252A2\001\50\3GT50G	ITEM NO.	616252AA\02GA5F		
6	COVER	NOTE 2	NOTE 3	1	CV-5X05-T	DIMENSIONS ARE IN MILLIMETERS UNLESS OTHERWISE SPECIFIED TOLERANCES 0.5-6 = ±0.2 6-30 = ±0.4 30-120 = ±0.6 120-315 = ±1 315-1000 = ±1.6 1000-2000 = ±2.4	PART NO.	APPROVED	DATE	01-30-04'	DRAWN	DATE	01-30-04'	DRAWING NO.	RSMA6252A2-001-3GT50G-50
5	CONTACT PIN	NOTE 1	NOTE 4	1	SMA6252A2-001-5										
4	INSULATOR	NOTE 5	NATURAL	1	SMA6252A2-001-4										
3	INSULATOR	NOTE 5	NATURAL	1	SMA6252A2-001-3-B										
2	CONTACT PIN	NOTE 1	NOTE 4	1	CP11----										
1	HOUSING WITH BODY	NOTE 1	NOTE 3	1	SMA6252A2-001-1S										

**Amphenol**

Danbury, CT, USA - Tainan, Taiwan - Shenzhen, China  
SMA REVERSE POLARITY R/A P.C.  
MOUNT JACK