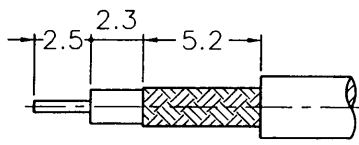
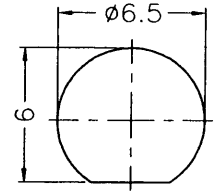


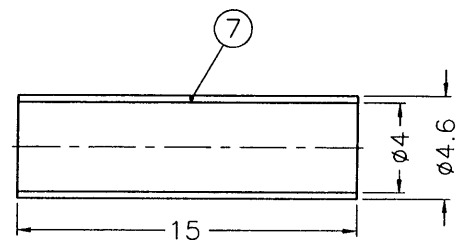
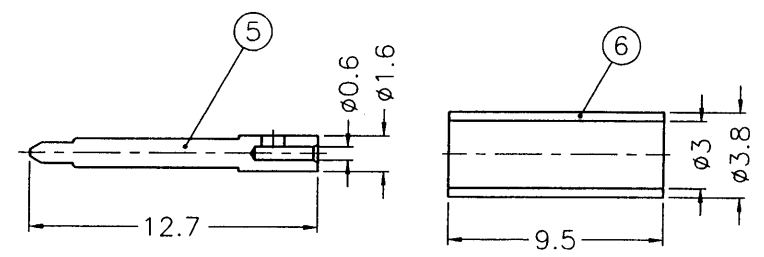
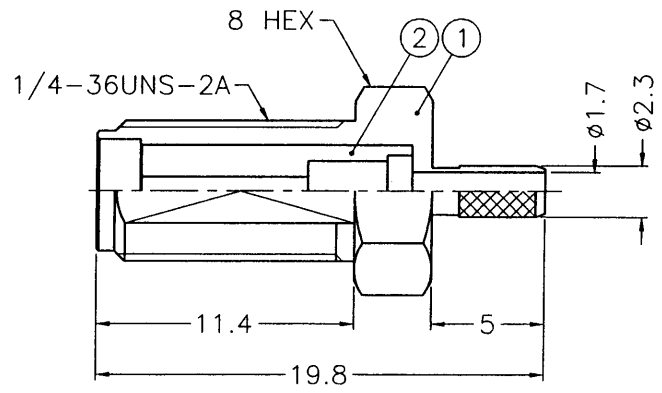
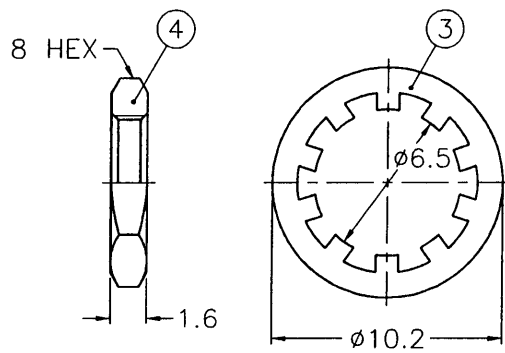
REVISIONS			
ISS	ZONE	DESCRIPTION	PER REQUEST\DATE



RECOMMENDED
CABLE STRIPPING DIM'S
(建議剝線尺寸)



RECOMMENDED
MOUNTING HOLE
(建議架設孔)



- NOTES: FINISH (PLATING THICKNESS IN MICRO-INCHES)
- BRASS PER QQ-B-626
 - BRASS PER QQ-B-613
 - GOLD PL. 3 MIN. THICK OVER NICKEL PL. 100 MIN. THICK OVER COPPER STRIKE
 - GOLD PL. 50 MIN. THICK OVER NICKEL PL. 100 MIN. THICK OVER COPPER STRIKE
 - TEFLON MIL-P-19468

- CRIMPED FERRULE
HEX CRIMP SIZE .128"
- CRIMPED CONTACT PIN
SQ. CRIMP SIZE .052"
- MAX. PANEL THICKNESS=3.2mm



NO.	DESCRIPTION	MATERIAL	FINISH	Q'TY	DRAWING NO.
7	HEAT SHRINK TUBING		BLACK		HT-46/4X15
6	FERRULE	COPPER	NOTE 3	1	FR-38/3X95C
5	CONTACT PIN	NOTE 1	NOTE 4	1	RSMA6111A2-3-16/06
4	HEX NUT	NOTE 1	NOTE 3	1	HN8-1/4-36X16
3	LOCK WASHER	NOTE 2	NOTE 3	1	LW-102/65X05
2	INSULATOR	NOTE 5	NATURAL	1	SMA7000-2T-50
1	BODY	NOTE 1	NOTE 3	1	SMA6411A2-1-23/17-C

DIMENSIONS ARE IN MILLIMETERS				PART NO.	
UNLESS OTHERWISE SPECIFIED TOLERANCES				APPROVED <i>Mark C</i> DATE 01-30-01'	
0.5-6	= ±0.2			CHECKED <i>Scott</i> DATE 01-30-01'	
6-30	= ±0.4			DRAWN <i>Jack Y</i> DATE 01-30-01'	
30-120	= ±0.6				
120-315	= ±1				
315-1000	= ±1.6				
1000-2000	= ±2.4				

Amphenol - Kai Jack	
TAINAN TAIWAN	
TITLE	SMA REVERSE POLARITY BULKHEAD CRIMP JACK (FOR RG-174/U,188A/U,316/U)
DRAWING NO.	KJ-RSMA6411A2-3GT50G-316U-50
FILE NO.	F:\DWG\RSMA\6411A2\316U-50\3GT50G

F
E
D
C
B
A