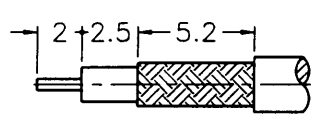
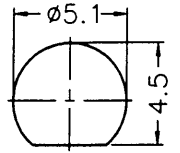


REVISIONS			
ISS	ZONE	DESCRIPTION\PER REQES\DATE	
C	B-1	DELETED HEAT SHRINK TUBING\RD-DM88102601B\ 10-26-99'	
D	B-1	NO.5 WAS CHANGED\RD-DM89061501I\06-15-00'	
E	E-3	ADDED 0.4 <sup>±0.1</sup> \RD-DM90041801C\04-18-01'	
E1	D-3	RSMB1421A1-001-3T-50 WAS SMB6121B2-3T-50-C \N/A\05-21-01'	



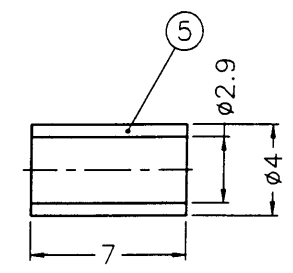
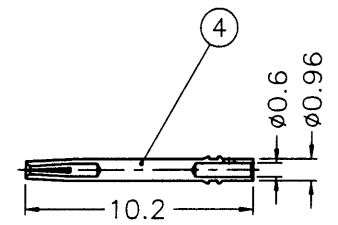
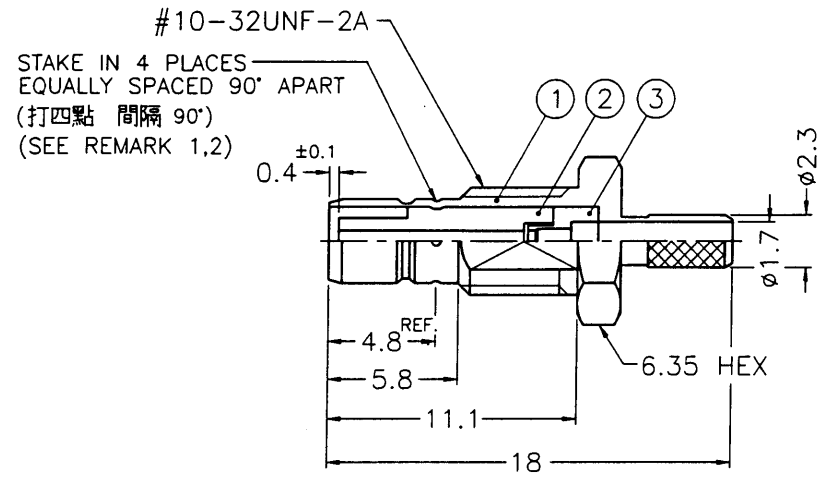
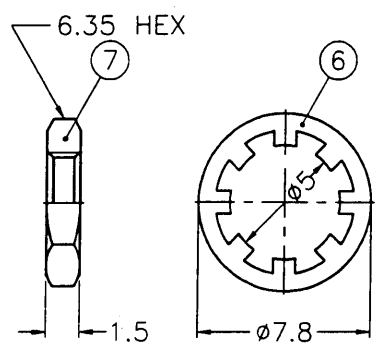
RECOMMENDED  
CABLE STRIPPING DIM'S  
(建議剝線尺寸)



RECOMMENDED  
MOUNTING HOLE  
(建議架設孔)

REMARK:1. NO.2 MUST WITHSTAND A 4 lbs. MIN. PUSHOUT FORCE FROM NO.1 AFTER STAKING OPERATION  
2. REMARK1 IS MAINTAINED BY STAMPING THE FOUR POINTS SHOWN ON THE DRAWING WITHOUT PUNCTURING NO.1  
(1. 打四點後零件 2 由零件 1 推出至少必須承受 4 磅推力)  
(2. 打四點後除需符合備註 1 要求外 且不可擊穿零件 1)

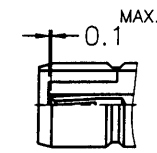
1. CONTACT PIN TO SOLDER  
2. MAX. PANEL THICKNESS=2.4mm



NOTES: FINISH (PLATING THICKNESS IN MICRO-INCHES)  
1. BRASS PER QQ-B-626  
2. BRASS PER QQ-B-613  
3. NICKEL PL. 100 MIN. THICK OVER COPPER STRIKE  
4. BERYLLIUM COPPER PER QQ-C-530  
5. GOLD PL. 30 MIN. THICK OVER NICKEL PL. 100 MIN. THICK OVER COPPER STRIKE  
6. TEFLON MIL-P-19468  
7. JIS H 3250, C 2700

業務部

出圖  
2001.5.30  
設計部



CONTACT HEIGHT FLUSH TO 0.1 mm FROM INSULATOR, WHEN THE CENTER PIN IS PUSHED INTO LOCKING POSITION.  
(注意事項:中心針推進卡榫時,中心針與絕緣體的距離會在 0~0.1mm 之間)

NO.	DESCRIPTION	MATERIAL	FINISH	Q'TY	DRAWING NO.
7	HEX NUT			1	HN635-10-32X15
6	LOCK WASHER			1	LW-78/5X05
5	FERRULE			1	FR-4/29X7
4	CONTACT PIN			1	RSMB1421A1-001-4-06-B
3	INSULATOR		NATURAL	1	RSMB1421A1-001-3T-50
2	INSULATOR		NATURAL	1	RSMB1421A1-001-2T-50-D
1	BODY			1	RSMB1421A1-001-1-23/17-C

DIMENSIONS ARE IN MILLIMETERS				PART NO.	
UNLESS OTHERWISE SPECIFIED TOLERANCES				APPROVED	DATE
0.5-6	= ±0.2			<i>Mark C</i>	05-21-01'
6-30	= ±0.4			CHECKED	DATE
30-120	= ±0.6			<i>gawcky</i>	05-21-01'
120-315	= ±1			DRAWN	DATE
315-1000	= ±1.6			<i>gawcky</i>	05-21-01'
1000-2000	= ±2.4				
SCALE	3/1	ISSUE	E1		

Amphenol - Kai Jack	
TAINAN TAIWAN	
TITLE	SMB REVERSE POLARITY BULKHEAD CRIMP JACK
DRAWING NO.	KJ-RSMB1421A1-001-NT30G-316U-50
FILE NO.	F:\DWG\RSMB\1421A1\001\316U-50\NT30G

RDBDR/12224