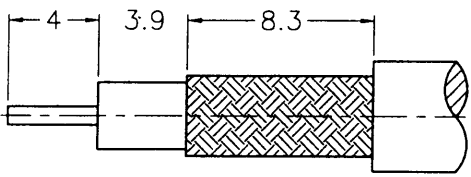


1 2 3 4 5 6 7 8

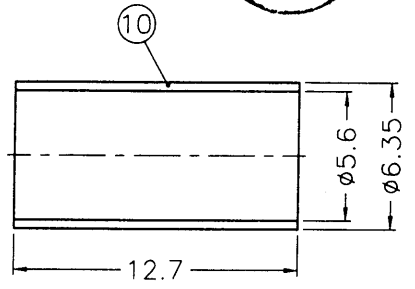
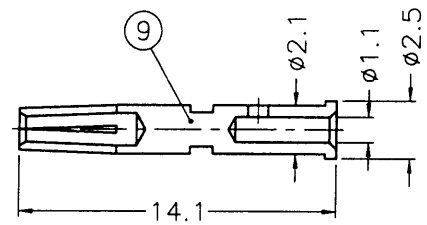
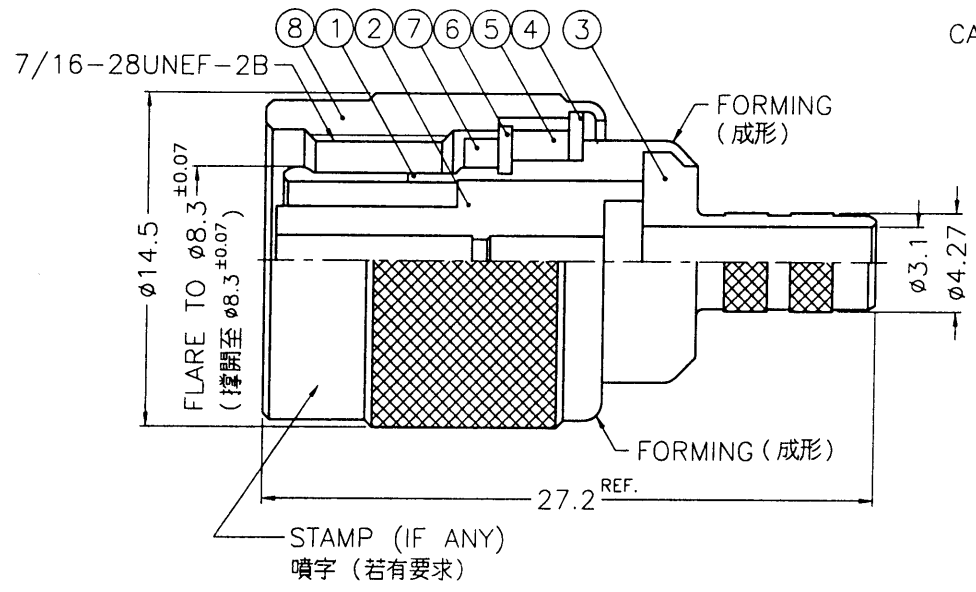
REVISIONS			
ISS	ZONE	DESCRIPTION\PER REQUEST\DATE	
B	B-3	NO.9 WAS CHANGED\RD-DM91082201W\08-22-02'	
C1	A-2	NO.3 WAS CHANGED\RD-DM92111201E\11-12-03'	



RECOMMENDED
CABLE STRIPPING DIM'S
(建議剝線尺寸)

SALES

ISSUED
2003.11.13
R&D



NOTES: FINISH (PLATING THICKNESS IN MICRO-INCHES)
 1. BRASS PER QQ-B-626
 2. BRASS PER QQ-B-613
 3. NICKEL PL. 100 MIN. THICK OVER COPPER STRIKE
 4. PHOSPHOR BRONZE PER QQ-B-750
 5. GOLD PL. 3 MIN. THICK OVER NICKEL PL. 100 MIN. THICK OVER COPPER STRIKE
 6. TEFLON MIL-P-19468
 7. JIS H 3250, C 2600

- 1. CRIMPED FERRULE
HEX CRIMP SIZE .213"
- 2. CRIMPED CONTACT PIN
HEX CRIMP SIZE .068"

10	FERRULE	NOTE 7	NOTE 3	1	FR-635/56X127
9	CONTACT PIN	NOTE 4	NOTE 5	1	B74000-8-25/11
8	SHELL	NOTE 1	NOTE 3	1	T50000-1-B
7	GASKET	RUBBER	RED	1	GS-105/8X15
6	RETAINER RING	NOTE 1	NOTE 3	1	B50000-5
5	RING	DELIN	NATURAL	1	T50000-6-A
4	WASHER	NOTE 2	NOTE 3	1	WS-128/9X08
3	BARREL	NOTE 1	NOTE 3	1	B50900-6-427/ 31-B
2	INSULATOR	NOTE 6	NATURAL	1	RB1121A1-3T-50
1	BODY	NOTE 1	NOTE 3	1	RB1121A1-2
NO.	DESCRIPTION	MATERIAL	FINISH	Q'TY	DRAWING NO.

DIMENSIONS ARE IN MILLIMETERS				PART NO.	
UNLESS OTHERWISE SPECIFIED TOLERANCES				APPROVED	DATE
0.5-6	=	±0.2		Alan. n	11-12-03'
6-30	=	±0.4			
30-120	=	±0.6		CHECKED	DATE
120-315	=	±1		Alan. n	11-12-03'
315-1000	=	±1.6		DRAWN	DATE
1000-2000	=	±2.4		Enyo	11-12-03'
SCALE	3/1	ISSUE	C1	FILE NO.	F:\DWG\RD\121A1\223U-50\NT3G-C1

Amphenol	
Danbury,CT,USA-Tainan,Taiwan-Shenzhen,China	
TITLE TNC REVERSE POLARITY CRIMP PLUG (FOR RG-55/U, 142A/U, 400/U, 223/U)	
DRAWING NO. RT1121A1-NT3G-223U-50	
ITEM NO. 521121AAA26NA5F	

F
E
D
C
B
A

F
E
D
C
B
A